

## Product information sheet VICUS Twin lever

Item no. 524284

### Benefits

---



- Classic design with modern functionality
- High quality ceramic seals and cartridge for extremely long-lasting operation
- Available in different finishes

### Colours

---



Available colours:  
chrome

galvanic chrome

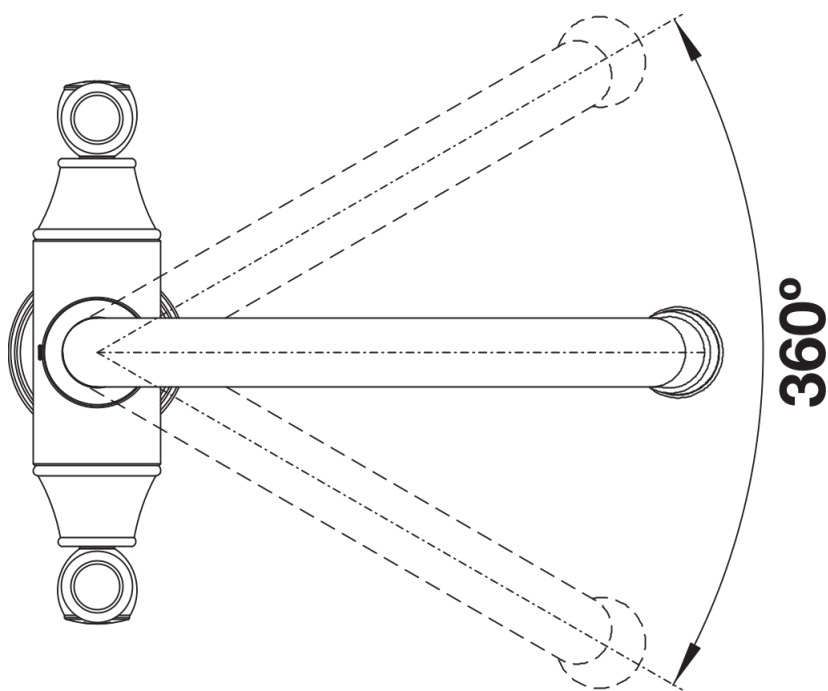
## Scope of supply

---

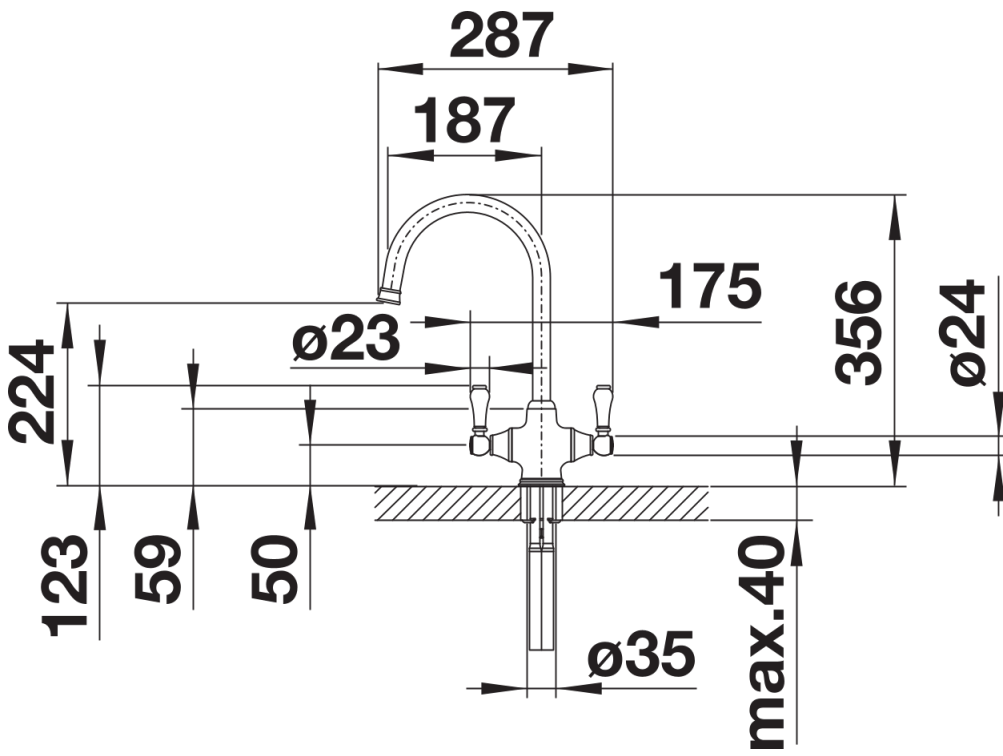
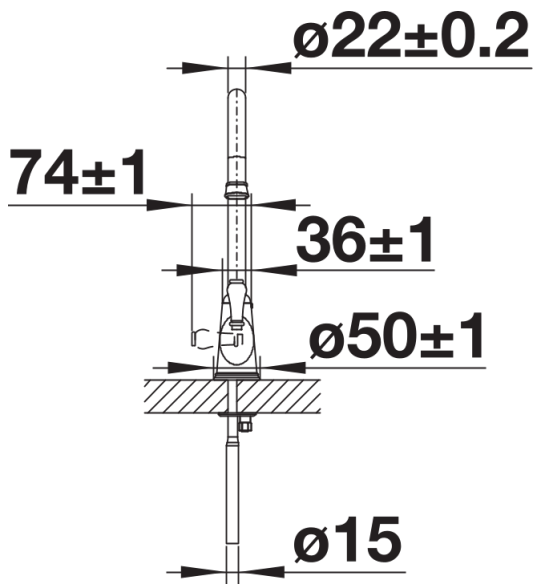
- Ø 35 mm tap hole required
- Suitable for low pressure gravity and pressure systems, maximum 5.0 bar, minimum 0.3 bar
- Fit metal stabilising bracket if required, item number 513383

## Details

---



Swivel range



Side view