

Product information sheet VICUS Bridge Twin lever

Item no. 524281

Benefits



- Classic design with modern functionality
- High quality ceramic seals and cartridge for extremely long-lasting operation
- Available in different finishes

Colours



Available colours:

chrome

galvanic chrome

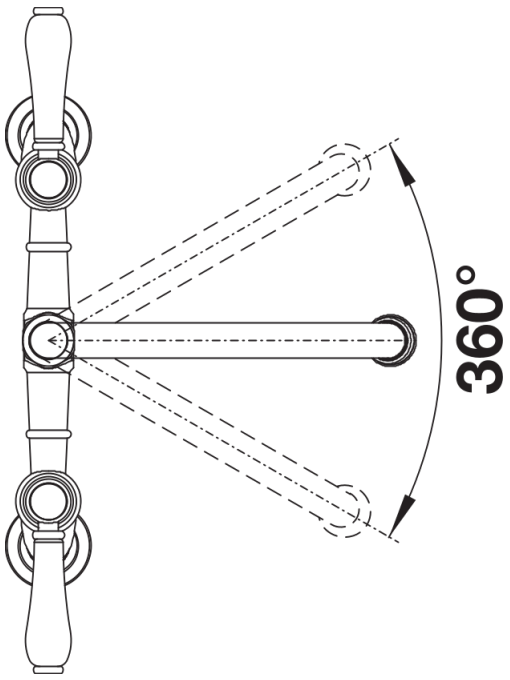
Planning information

- Please note:
- Two (Ø 35 mm) tap holes are required for mounting
- Tap-hole centre max 231mm

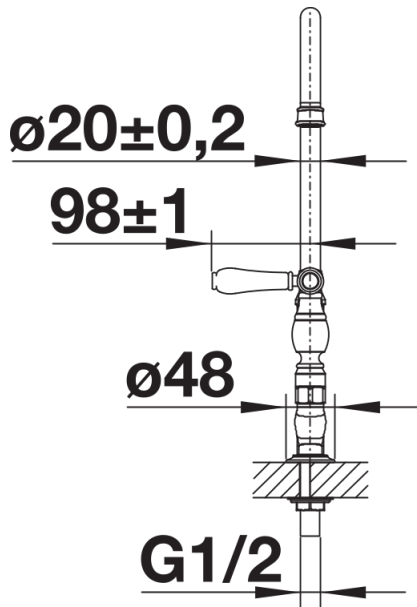
Scope of supply

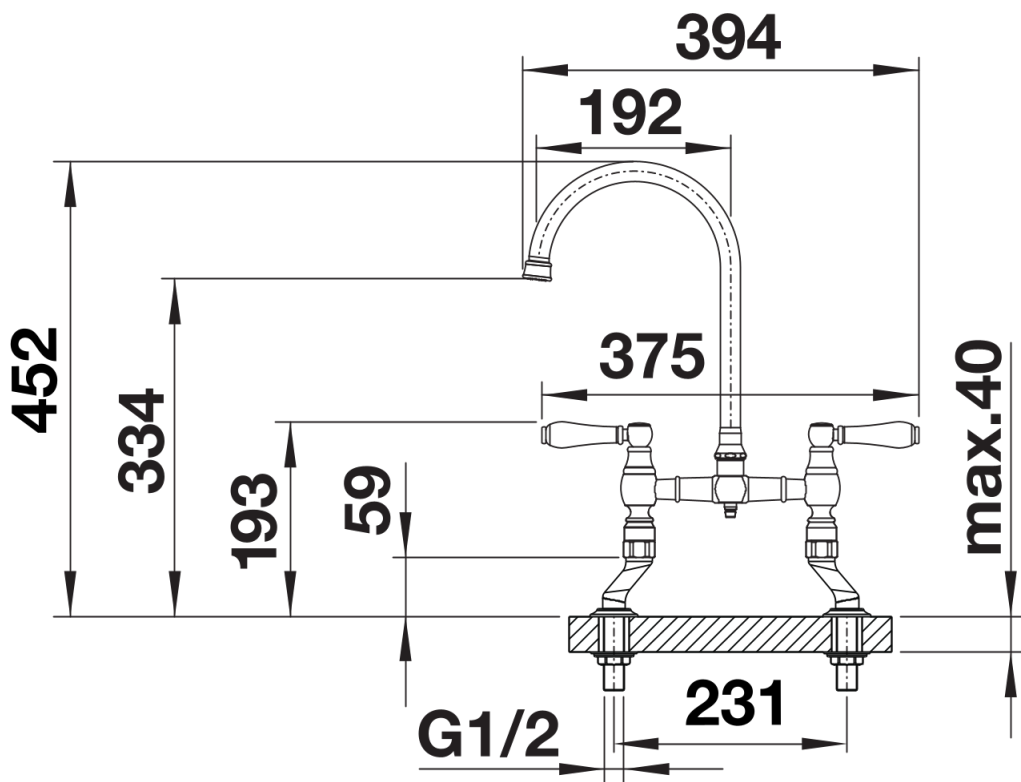
- Tap-hole centre maximum 231mm
- 2 x Ø 35 mm tap hole required
- Requires balanced high pressure supply only, minimum 1.0 bar

Details



Swivel range





Side view