

## Product information sheet ELON XL 6 S

Item no. 524848

### Benefits

---



- Large single-bowl sink for modern kitchens
- Clever extendable drainer thanks to the movable stainless steel grid
- Place the supplied wave grid over the bowl for a drip-dry area after washing crockery or rinsing vegetables
- Modern undulating design of sink and accessories match each other
- High-quality features with drain remote control, covered C-overflow and InFino drain system - elegantly integrated and easy-care
- Can be installed reversibly

### Colours

---



Available colours:

- black
- anthracite
- rock grey
- volcano grey
- white
- soft white
- tartufo
- coffee

SILGRANIT white

## Planning information

---

- Cut out: 760 x 480 x R15, Universal handing

## Scope of supply

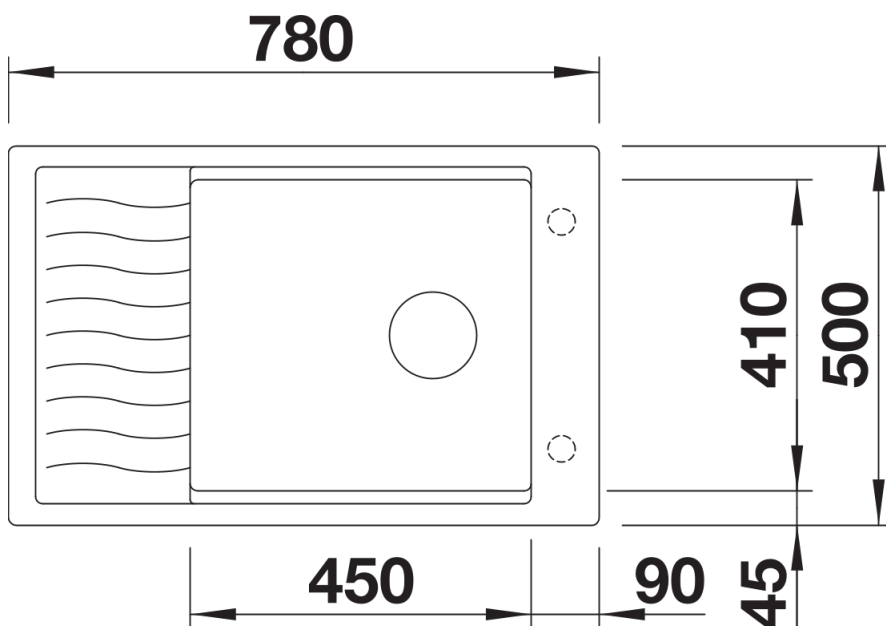
---

- Stainless steel drainer grid
- waste fitting with space-saving pipe
- 3 ½" InFino basket strainer

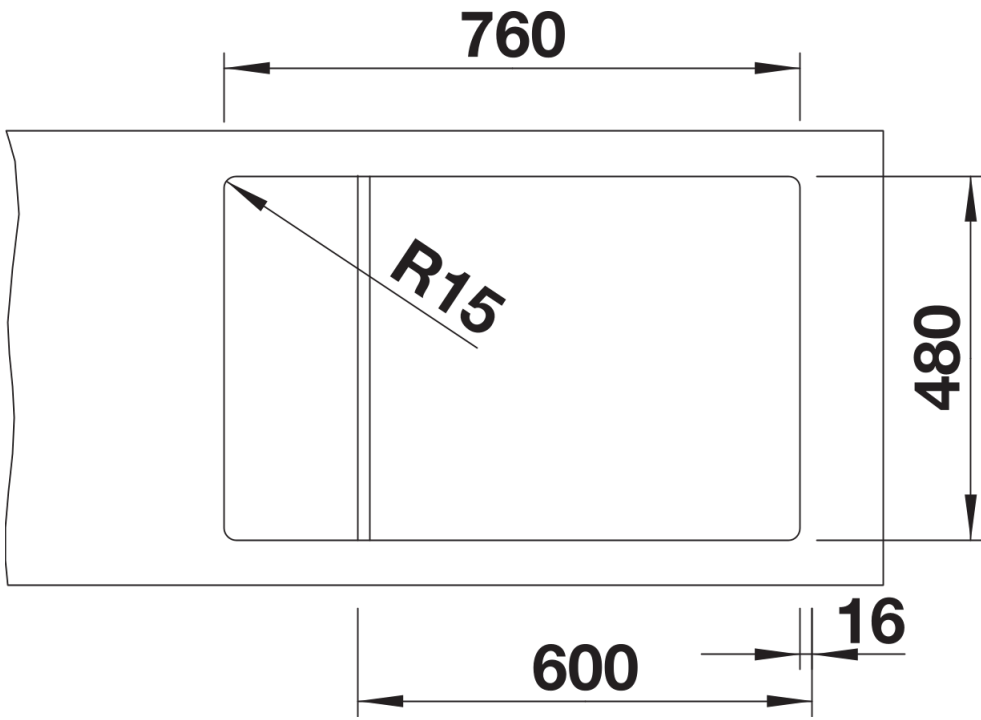
229234 - Stainless steel grid

## Details

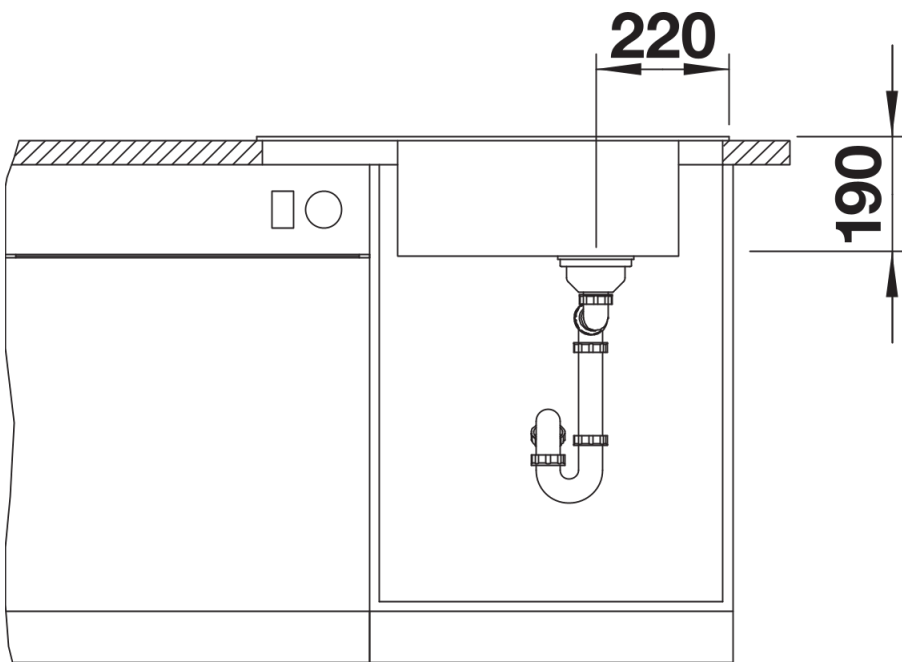
---



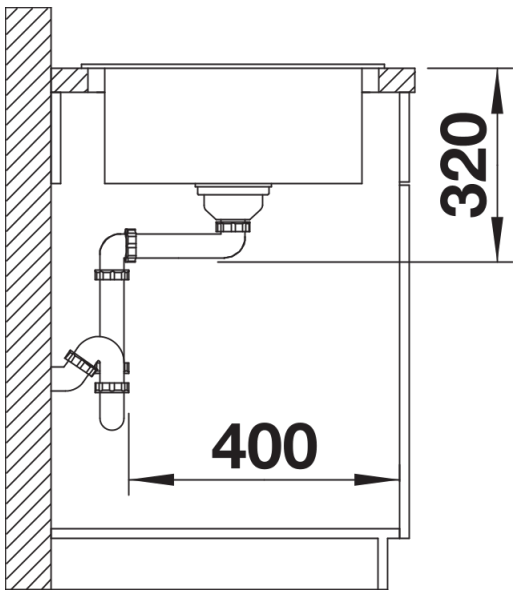
Top view



Cut-out



Front view



Side view