

Product information sheet LINUS

Item no. 525806

Benefits



- Minimalist design
- High spout for easy filling of pans and vases
- Spout can be swivelled through 360° for greater cover

Colours



Available colours:

black matt

Special colours black matt

Planning information

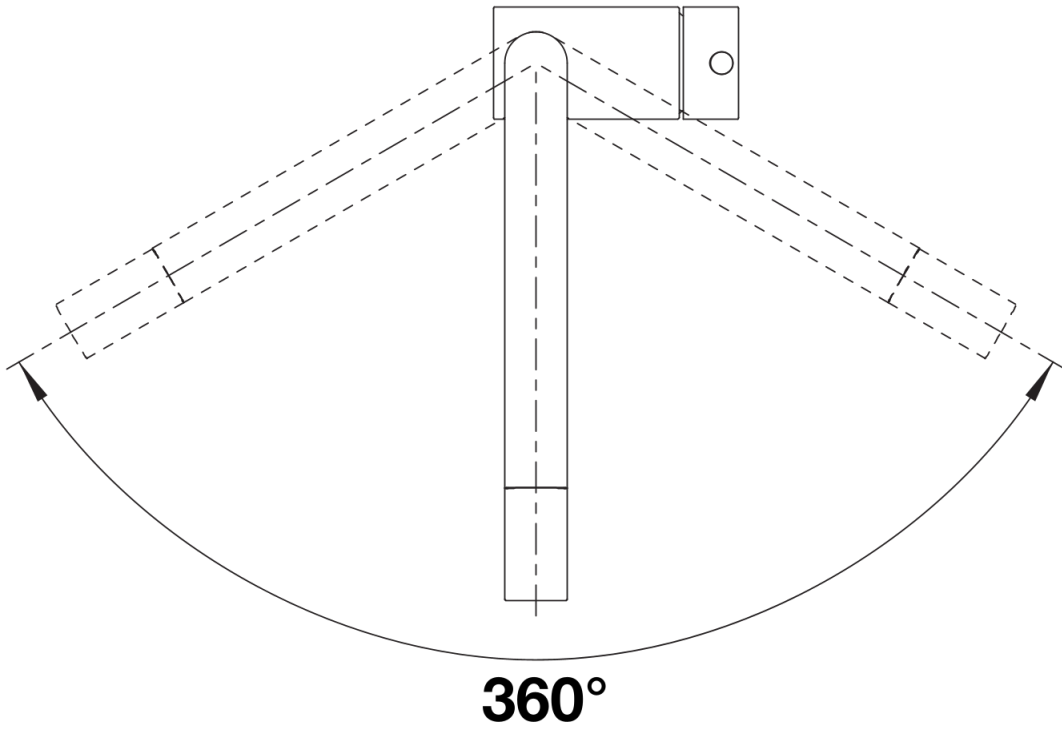
- Please note:

- High pressure supply only - requires minimum of 1.0 bar pressure (approx 10 metre head), preferred 1.0-1.5 bar
- $\frac{3}{8}$ " BSP connectors required (not supplied)
- Heavy duty metal tap stabilising bracket, fit when required. Item No. BL450775
- Height: 284
- Reach: 219
- Base: 45
- Tap hole: \varnothing 35

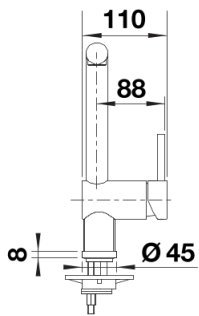
Scope of supply

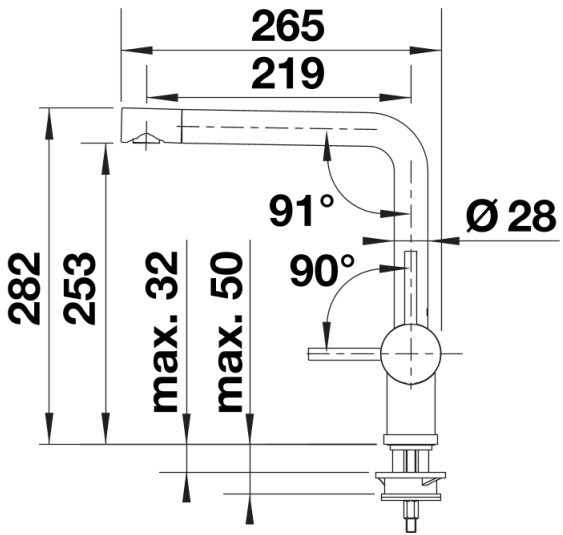
- Single-lever mixer tap
- High reach spout
- Ceramic disc control
- Patented jet regulator for markedly reduced scaling
- Requires balanced high pressure supply only, minimum 1.0 bar
- Fit metal stabilising bracket if required, item No.513383

Details



Swivel range





Side view