

## Product information sheet CATRIS-S Flexo

Item no. 527731

### Benefits

---



- Classic lines flow into semi-professional design and features
- Flexible black hose provides optimal range of motion
- Dual spray with integrated flow stop: easy switch from aerated stream to powerful rinse spray
- Precise magnetic holder ensures convenient hose docking
- Also available in Satin Dark Steel or Black matt surface finish

### Colours

---



Available colours:  
satin dark steel

PVD satin dark steel

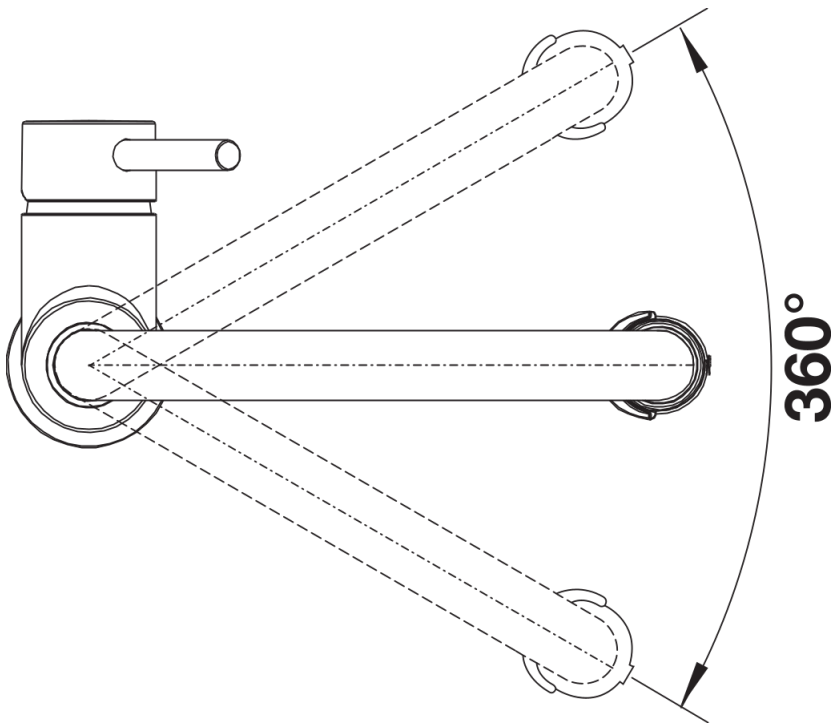
## Scope of supply

---

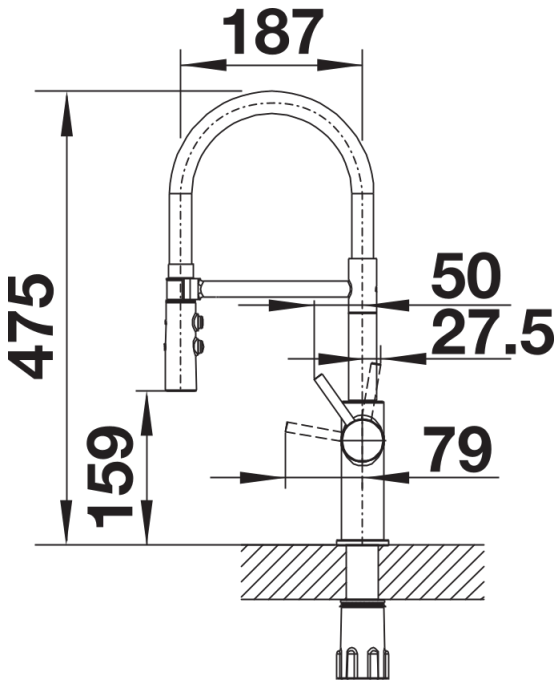
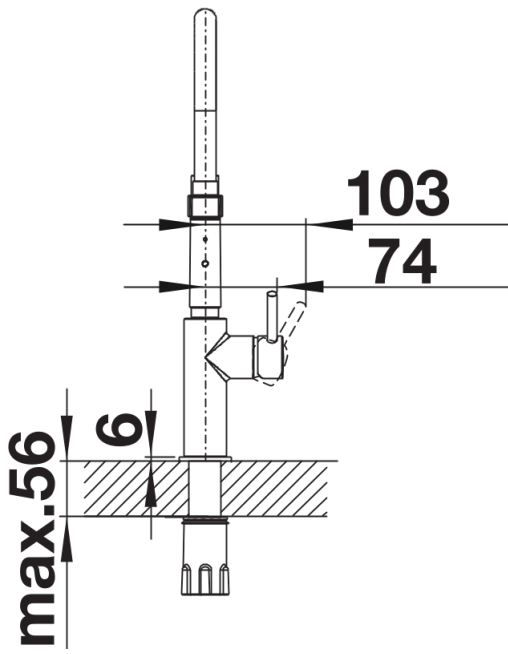
- 360° swivel spout for greater reach
- Black hose made of silicon
- Variable jet options - aerated stream to powerful rinse spray
- Removable handset with magnetic parking arm
- Ceramic disc control
- $\frac{3}{8}$ " flexible connection pipes with a length of 450 mm for a particularly easy and secure installation
- Patented jet regulator for markedly reduced scaling
- Requires balanced high pressure supply only, minimum 1.0 bar
- Fit metal stabilising bracket if required, item No. 513383

## Details

---



Swivel range



Side view