

## Product information sheet SELECT II 50/2

Item no. 526201

### Benefits

---



- Modern, harmonious and functional design
- Integrated construction into existing kitchen cupboard
- All parts are easy to clean
- High quality system cover that can simply be pulled out
- Quick and easy to install
- Functionally designed bins with integrated handles
- Optional: BLANCO MOVEX foot control for pull-out cabinet doors

## Planning information

---

- Installation height 361 mm, installation depth 400 mm, necessary inside cabinet dimensions for pull-out rails 450 mm, cabinet side wall thickness 16 mm or 19 mm.
- Door fronts must not have hinges or holes. Take position of handle into account.
- Can also be installed in cabinets with panelled doors with 40mm frame.
- Consider the installation height of the waste system, installation depth of the sink and the resultant minimum measure of the cabinet right from the planning.

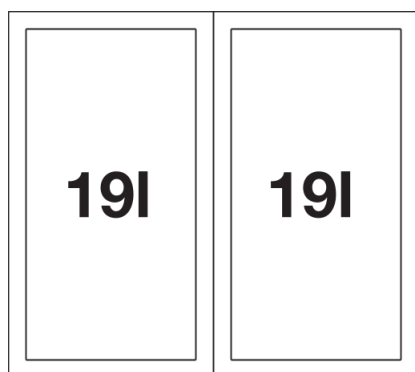
## Scope of supply

---

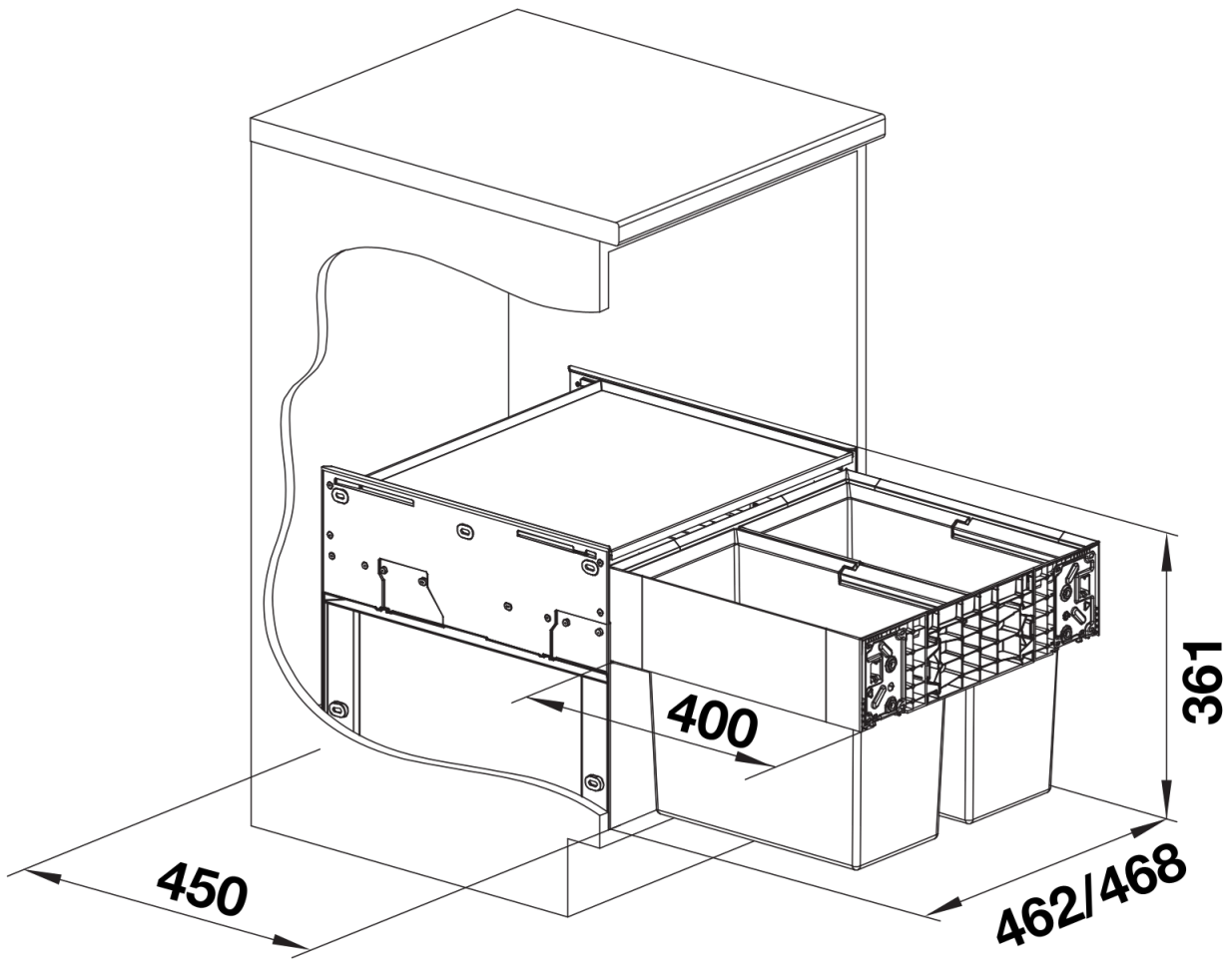
- 38 litre capacity (2 x 19L)
- Painted steel frame with pull out unit
- Template provided - do not use with hinge door

## Details

---



Top view



PRODUKT\_3D