

## Product information sheet LANORA Twin

Item no. 526702

### Benefits

---



- High-quality design in solid stainless steel, brushed finish
- Ideal mixer tap design for modern kitchens
- High arched outlet
- Stylish L shaped spout
- Also available with single lever and pull-out spray

### Colours

---



Available colours:  
brushed stainless steel

solid brushed stainless steel

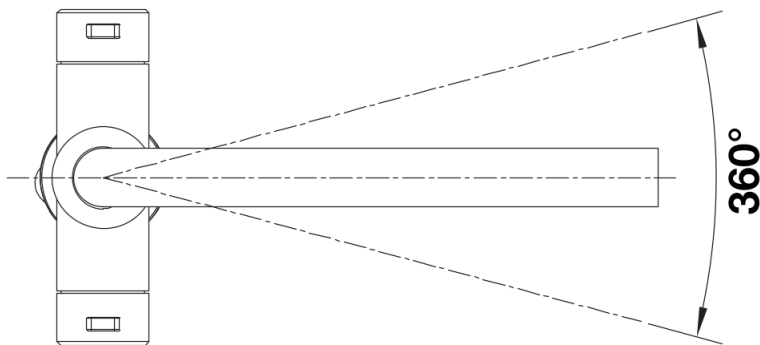
## Scope of supply

---

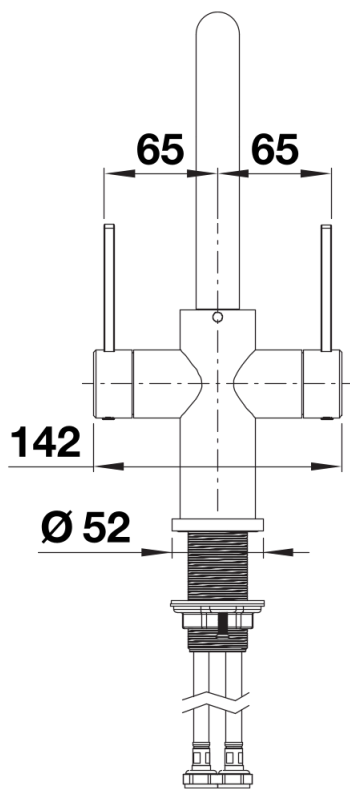
- Twin lever monobloc mixer tap
- WRAS approved fitting
- High arch spout
- ½" flexible connector pipes, 700 mm long
- Ceramic disc controls
- Stylish L shaped spout
- Suitable for low pressure gravity and pressure systems max 5.0 bar, min 0.3 bar
- Fit metal stabilising bracket, if required, item No. 513383

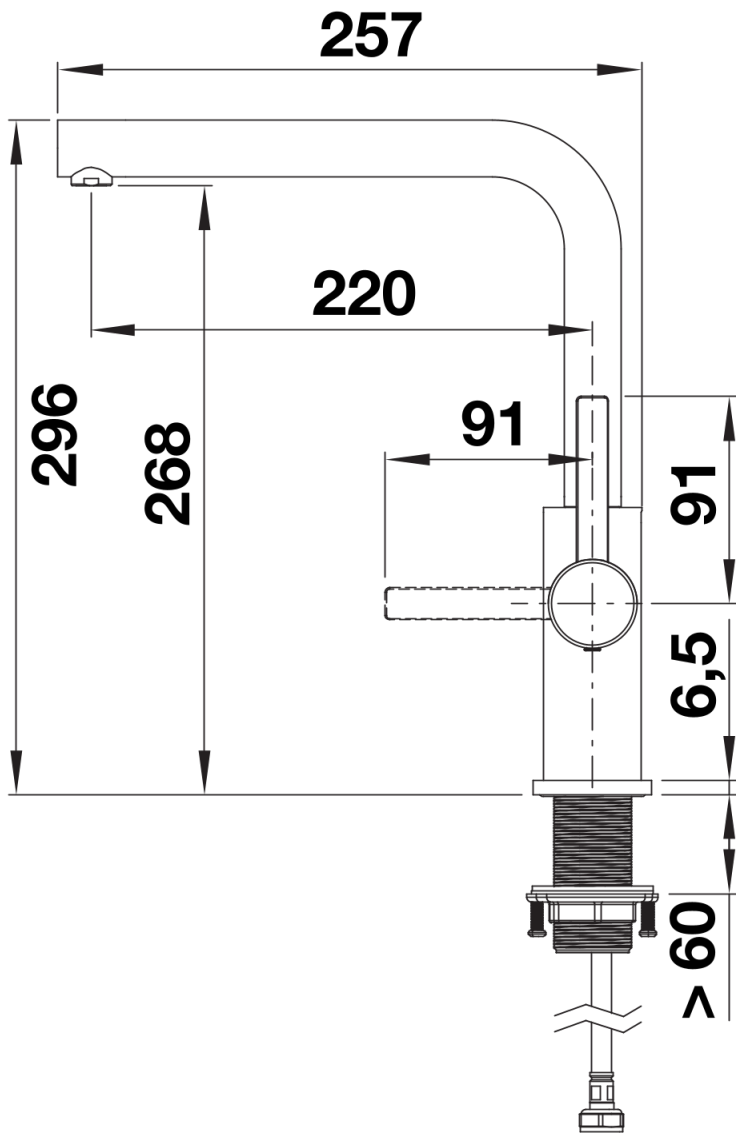
## Details

---



## Swivel range





Side view