

## Product information sheet MAX II

Item no. 526678

### Benefits

---



- Modern timeless design
- High arch spout
- Enlarged working radius thanks to the swivel spout
- Available in Chrome, PVD steel and Black matt

### Colours

---



Available colours:

PVD steel

PVD PVD steel

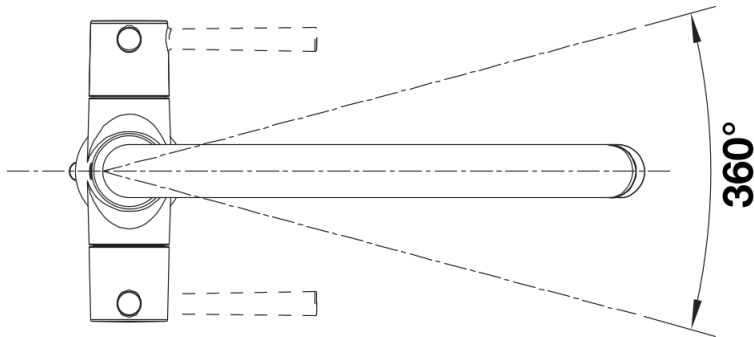
## Scope of supply

---

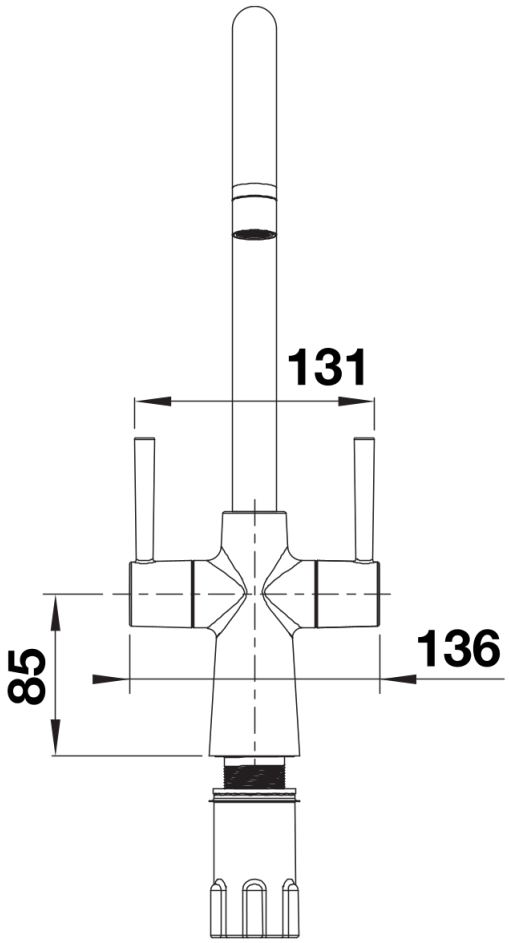
- Ø 35 mm tap hole required
- Flexible connector pipes, 700 mm long and ½" nut
- Suitable for low pressure gravity and pressure systems max 5.0 bar, minimum 0.3 bar
- Fit metal stabilising bracket if required, item number 513383

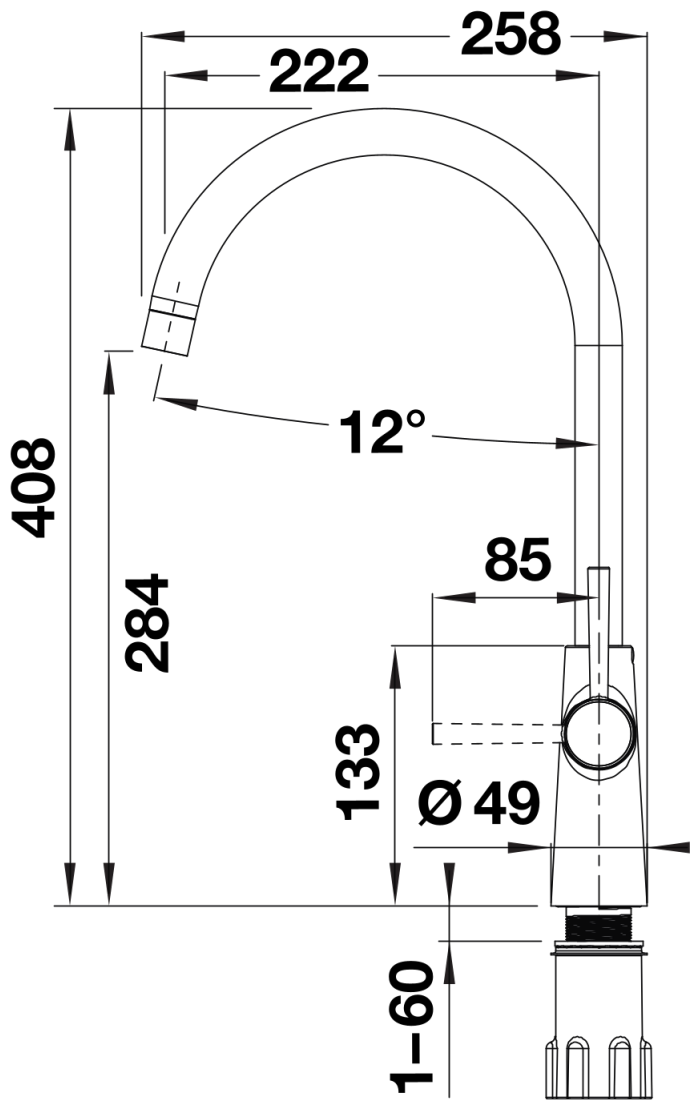
## Details

---



## Swivel range





Side view