

Product information sheet VICUS Bridge Twin lever

Item no. 526690

Benefits



- Classic design with modern functionality
- High quality ceramic seals and cartridge for extremely long-lasting operation
- Available in different finishes

Colours



Available colours:
satin gold

PVD satin gold

Planning information

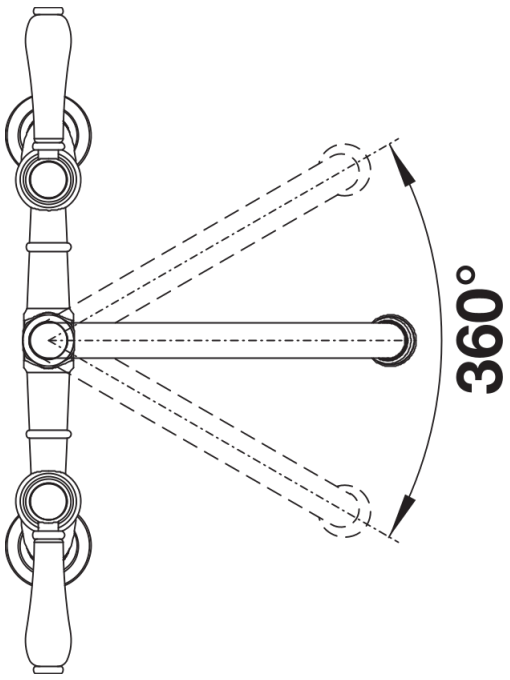
Please note:

- Two (Ø 30 mm) tap holes are required for mounting
- Tap-hole centre max 231mm

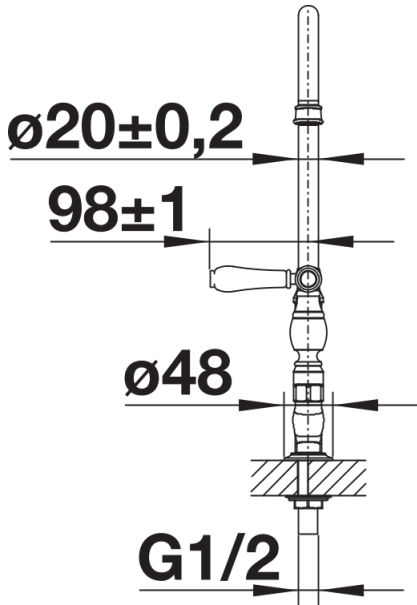
Scope of supply

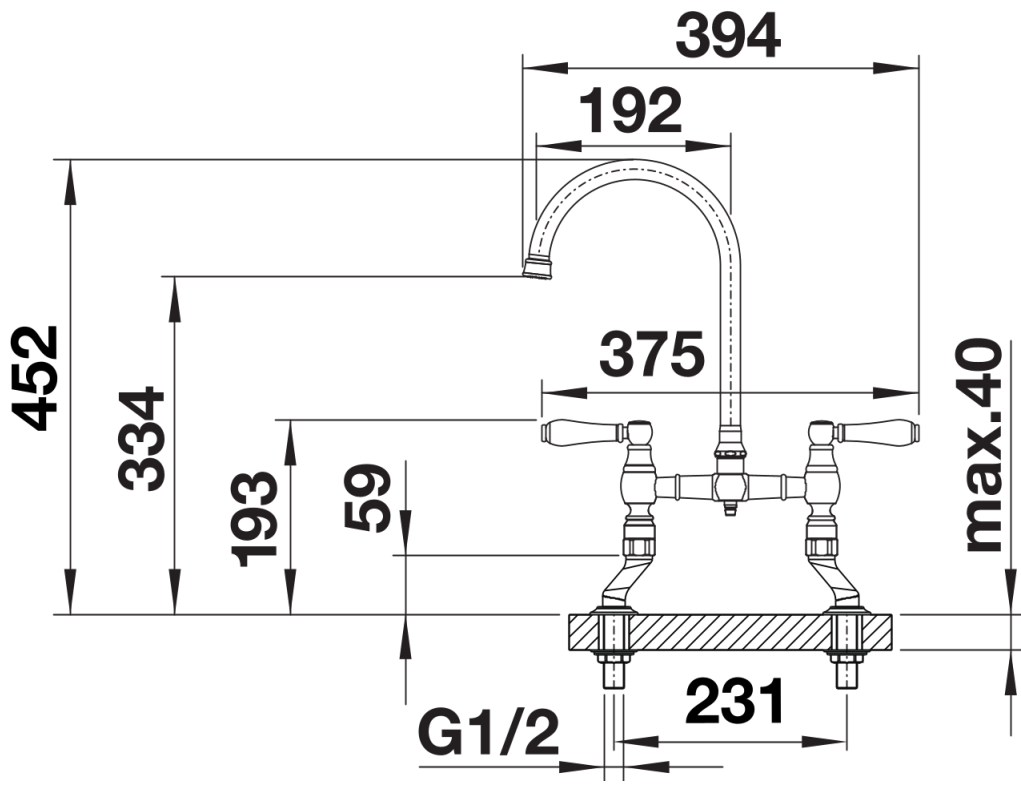
- Twin lever mixer tap with swivel spout and bridge
- Two tap holes required
- Tap-hole centre maximum 231mm
- Swivel spout with 192mm reach
- Suitable for low pressure gravity and pressure systems, max 5.0 bar, min 0.3 bar

Details



Swivel range





Side view