

Product information sheet LAX

Item no. 527526

Benefits



- Modern timeless design
- High arch spout
- Stylish L shaped spout
- Available in both Chrome, PVD steel and Black matt

Colours



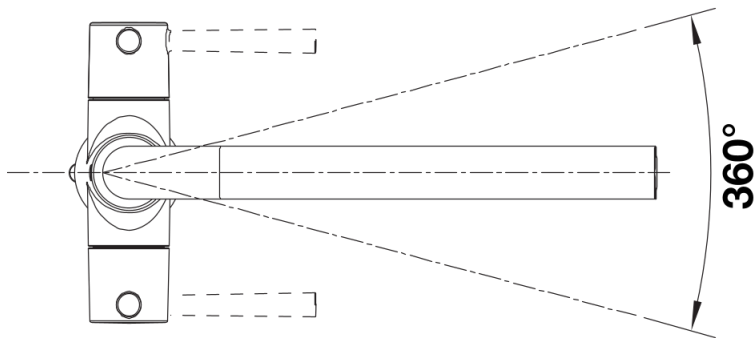
Available colours:
black matt

Special colours black matt

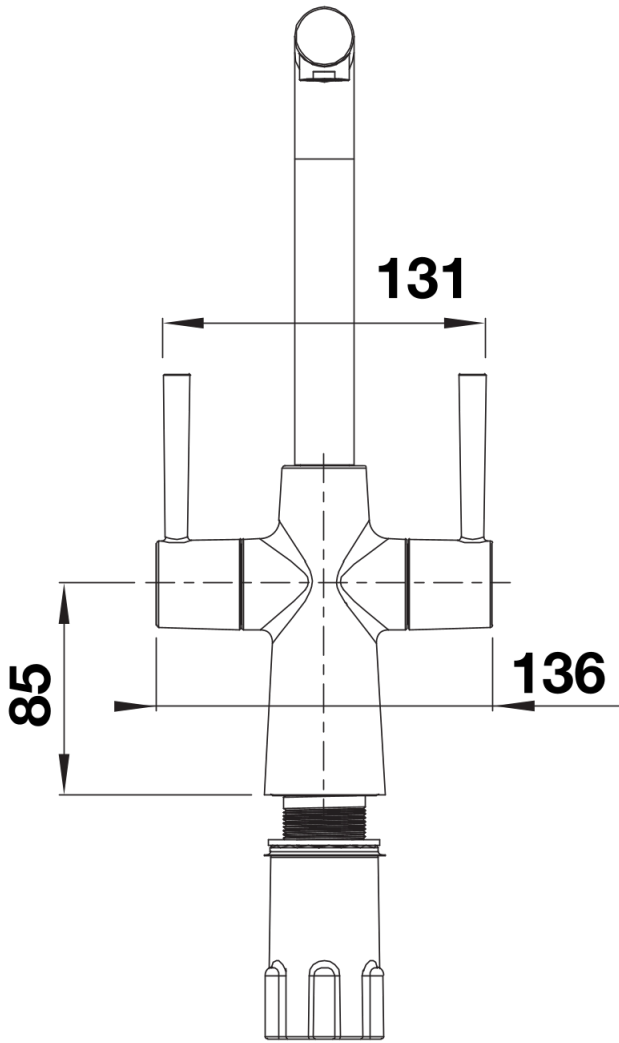
Scope of supply

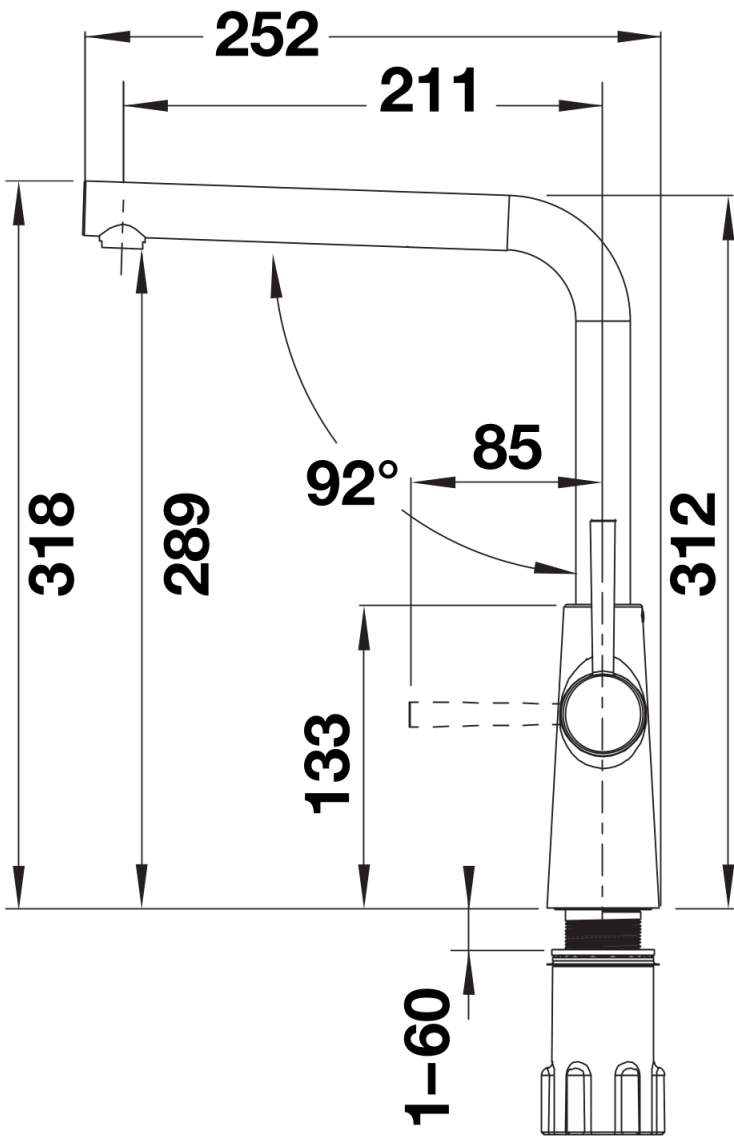
- Twin lever monobloc mixer tap
- WRAS approved fitting
- High arch spout
- Stylish L shaped spout
- Ceramic disc controls
- ½" flexible connector pipes, 700 mm long
- Suitable for low pressure gravity and pressure systems max 5.0 bar, min 0.3 bar
- Fit metal stabilising bracket if required, item No. 513383

Details



Swivel range





Side view