

Product information sheet MAX II

Item no. 527525

Benefits



- Modern timeless design
- High arch spout
- Enlarged working radius thanks to the swivel spout
- Available in Chrome, PVD steel and Black matt

Colours



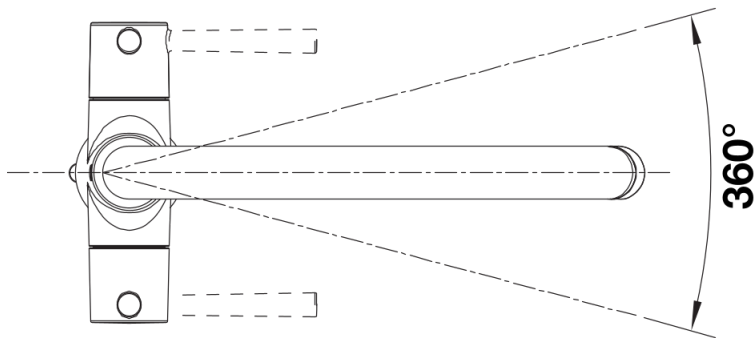
Available colours:
black matt

Special colours black matt

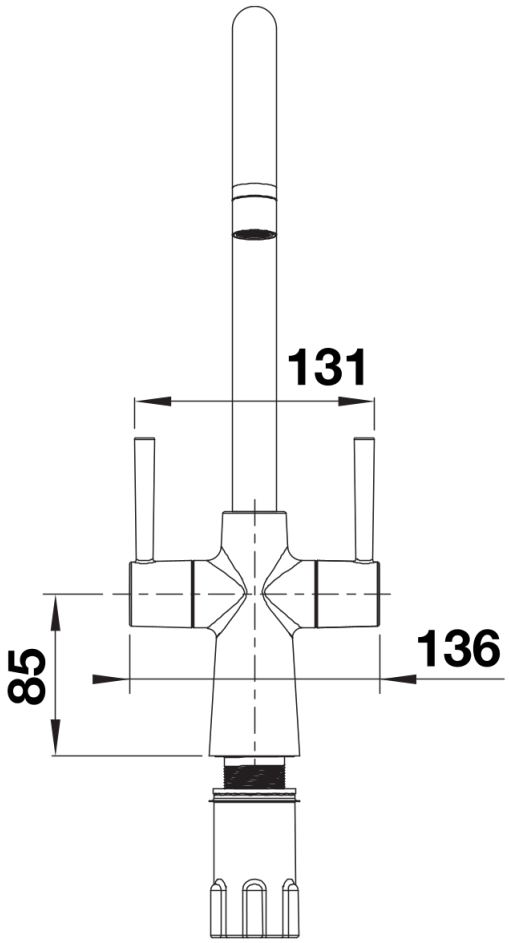
Scope of supply

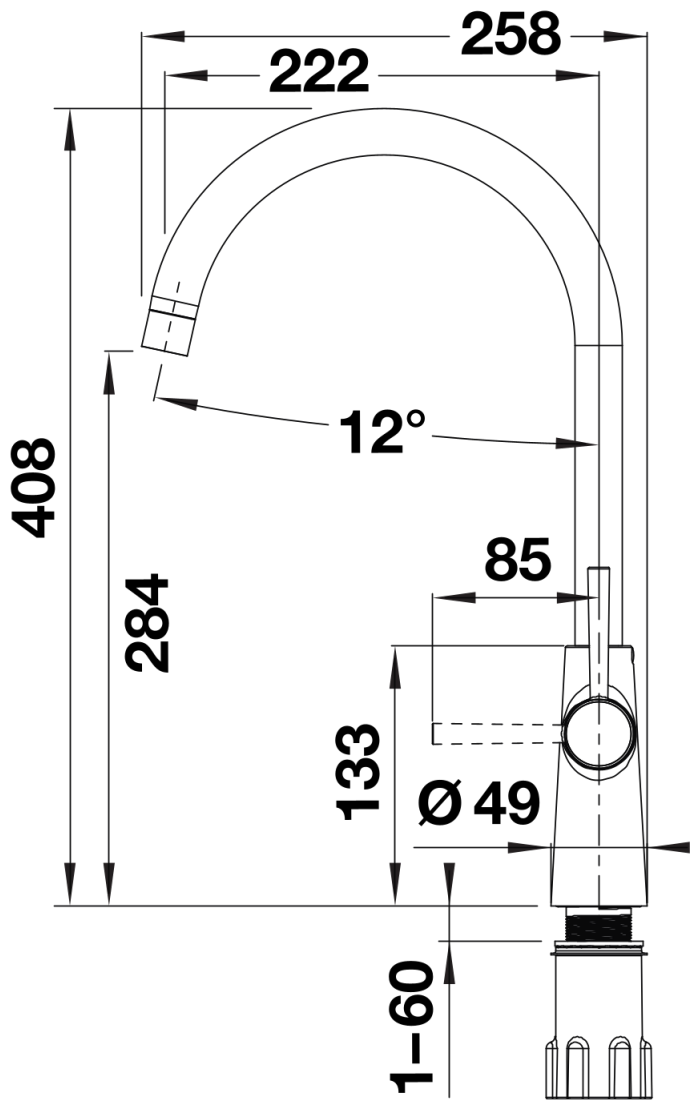
- Twin lever monobloc mixer tap
- WRAS approved fitting
- High arch spout
- Ceramic disc controls
- ½" nut flexible connector pipes, 700 mm long
- Suitable for low pressure gravity and pressure systems max 5.0 bar, min 0.3 bar
- Fit metal stabilising bracket if required, item No. 513383

Details



Swivel range





Side view