

## Product information sheet ETAGON 500-U for Coloured Components

Item no. 527755

### Benefits

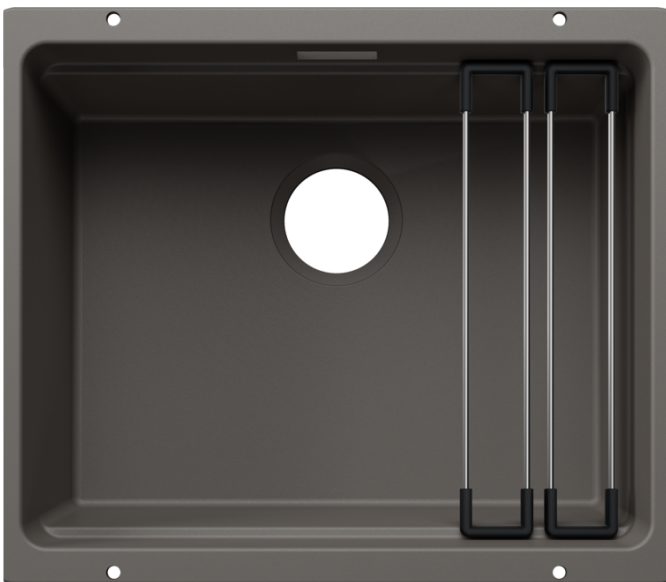
---



- Ingenious rails for smooth multitasking. Our innovative flagship sink family
- Gain separate working levels with the clever ETAGON rails
- Fill cookware without having to hold or rest pans in a wet sink
- Soak baking trays while still using the top half of the bowl
- Elegant InFino strainer for swift water drainage and sink drying
- Pair with a BLANCO Unit drink system to effortlessly fill pots and glasses using the ETAGON rails
- Maximum colour flexibility by choosing complementing waste fitting set in satin gold, black matt, satin dark steel or satin platinum metal finishes - to be ordered with separate article number

### Colours

---



Available colours:

- black
- anthracite
- rock grey
- volcano grey
- white
- soft white
- tartufo
- coffee

SILGRANIT volcano grey

## Planning information

---

- Note: Drainage components must be ordered separately.

## Scope of supply

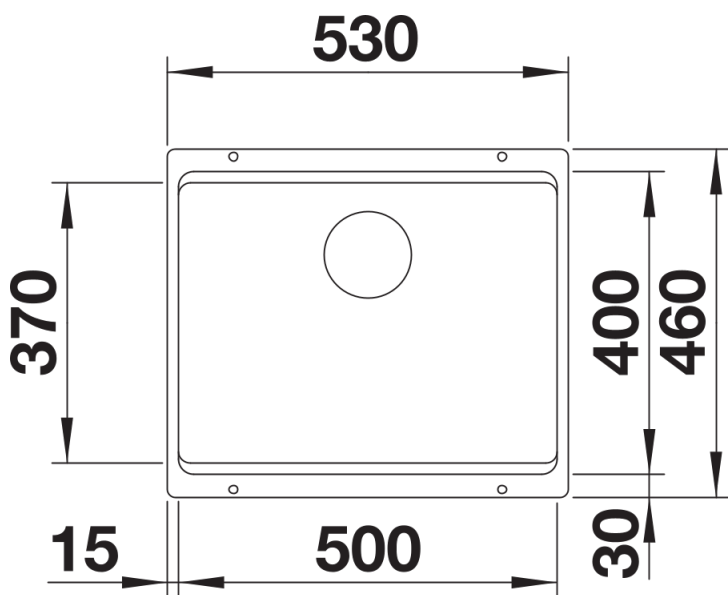
---

- 2 x ETAGON rails in stainless steel
- fixing kit

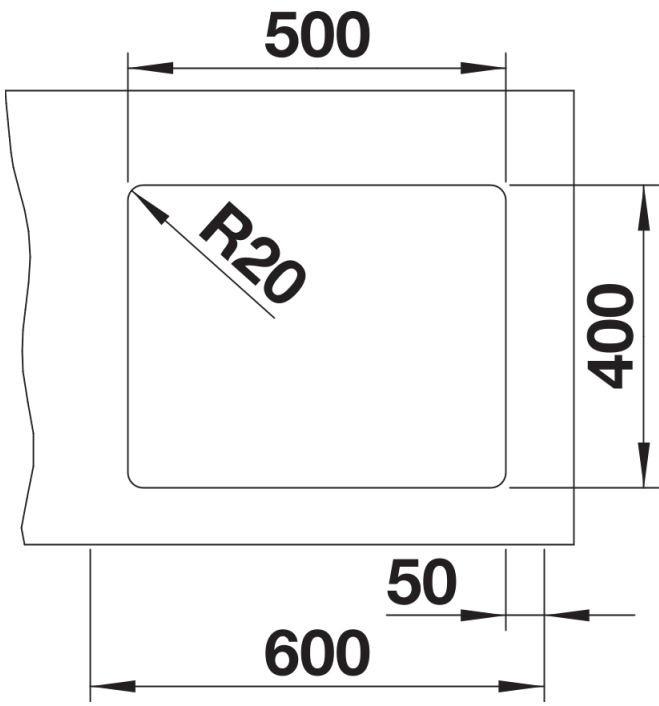
234164 -

## Details

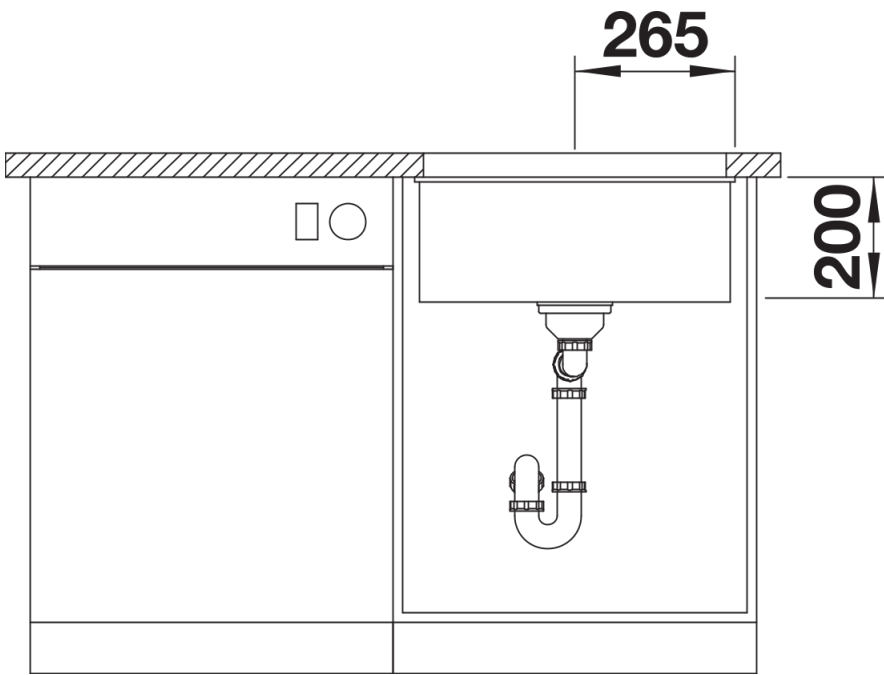
---



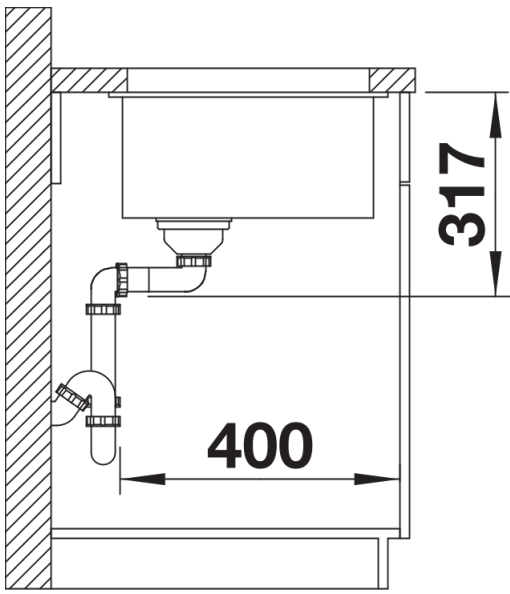
Top view



Cut-out



Front view



Side view