

## Product information sheet ETAGON 500-U for Coloured Components

Item no. 527759

### Benefits

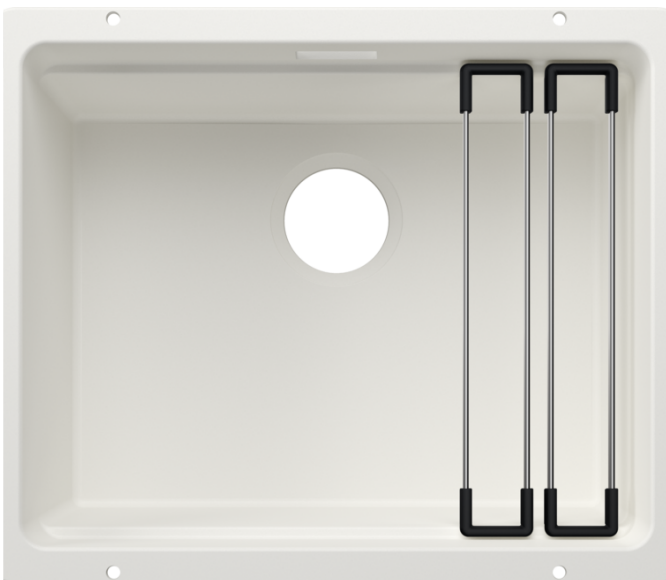
---



- Ingenious rails for smooth multitasking. Our innovative flagship sink family
- Gain separate working levels with the clever ETAGON rails
- Elegant InFino strainer for swift water drainage and sink drying
- Maximum colour flexibility by choosing complementing waste fitting set in satin gold, black matt, satin dark steel or satin platinum metal finishes - to be ordered with separate article number

### Colours

---



Available colours:

- black
- anthracite
- rock grey
- volcano grey
- white
- soft white
- tartufo
- coffee

SILGRANIT white

## Planning information

---

- Note: Drainage components must be ordered separately.

## Scope of supply

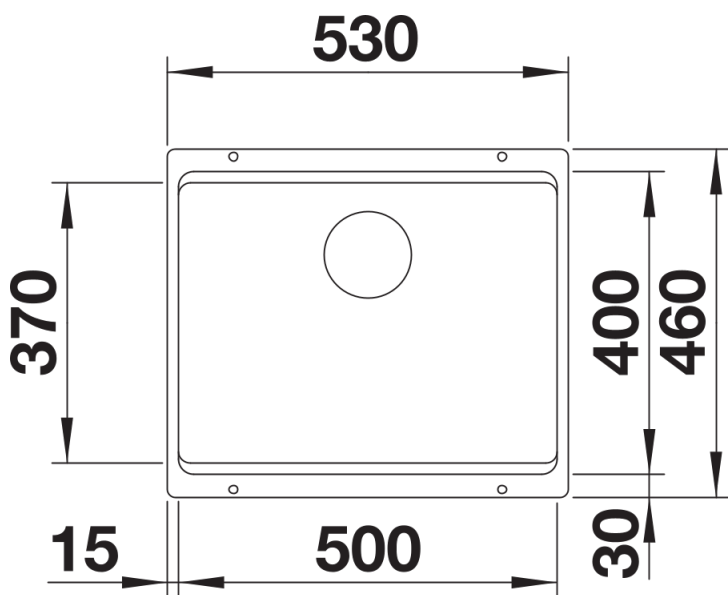
---

- 2 x ETAGON rails in stainless steel
- fixing kit

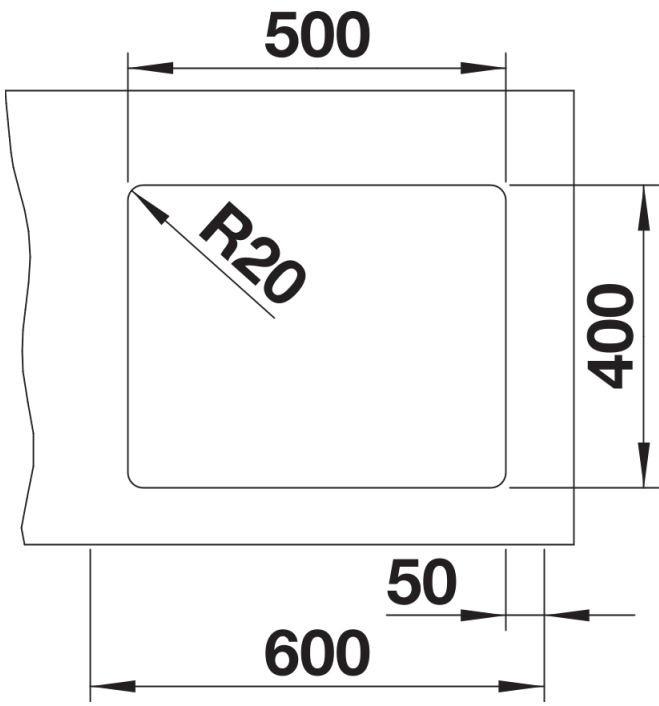
234164 - 2 x ETAGON rails

## Details

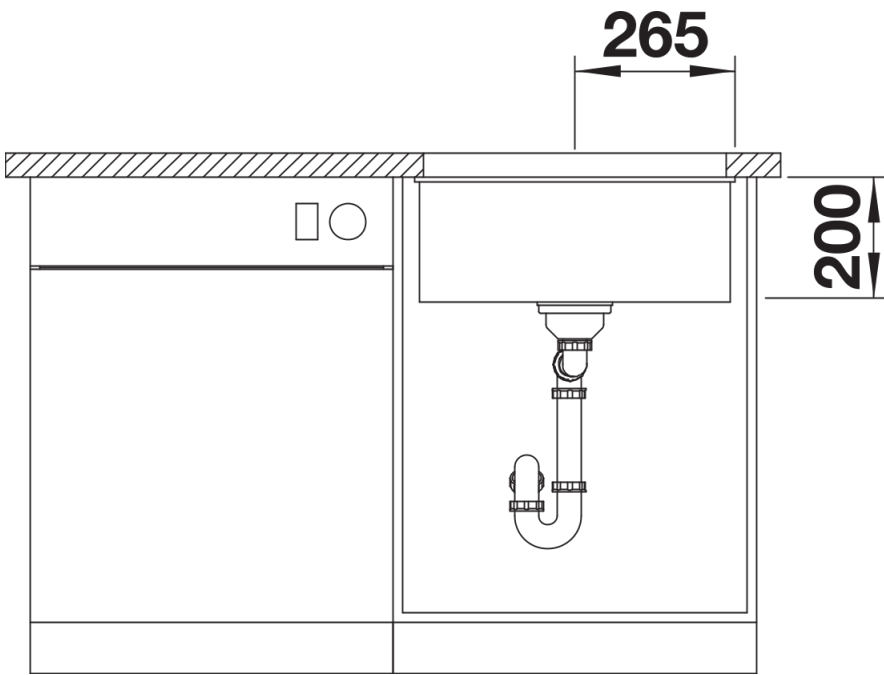
---



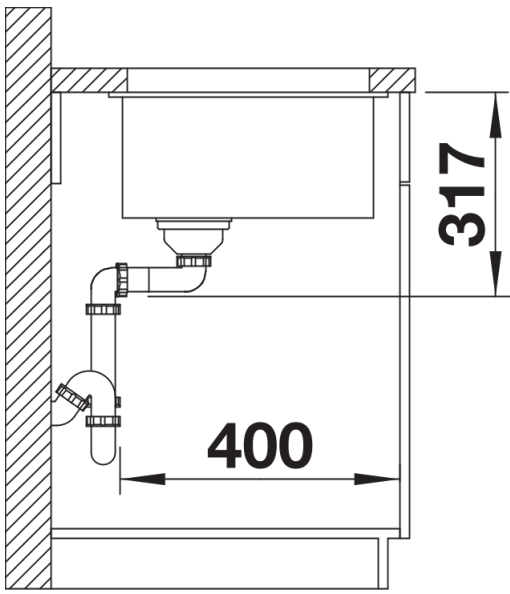
Top view



Cut-out



Front view



Side view