

Product information sheet ETAGON 700-U for Coloured Components

Item no. 527764

Benefits



- Integrated step creates an additional functional level
- Clever system concept with versatile ETAGON rails
- For undermount installation, ideal in combination with high quality worktops
- High quality features with the covered C-overflow and InFino drain system – elegantly integrated and easy-care
- Maximum colour flexibility by choosing complementing waste fitting set in satin gold, black matt, satin dark steel or satin platinum metal finishes
- Waste and coloured component set - needs to be ordered separately

Colours



Available colours:

- black
- anthracite
- rock grey
- volcano grey
- white
- soft white
- tartufo
- coffee

SILGRANIT soft white

Planning information

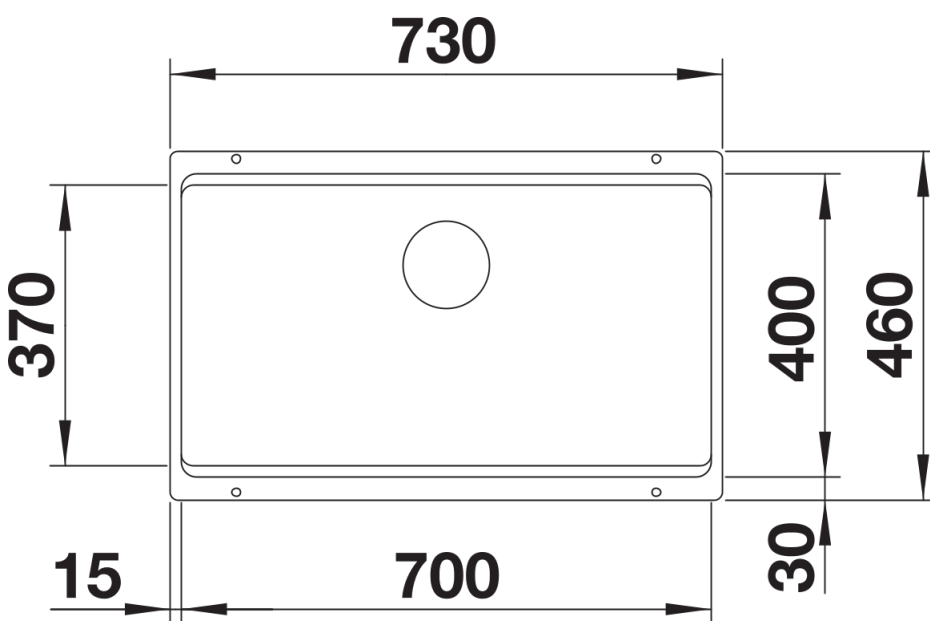
- Cut out radius: 20 mm
- Note: Drainage components must be ordered separately.

Scope of supply

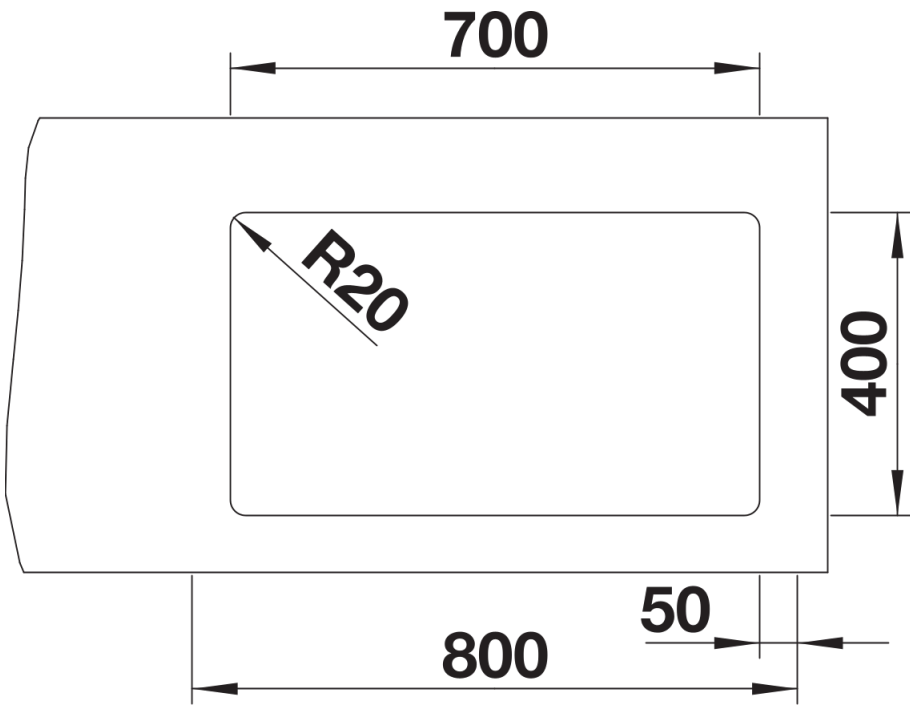
- 2 x ETAGON rails in stainless steel
- fixing kit

234164 - 2 x ETAGON rails

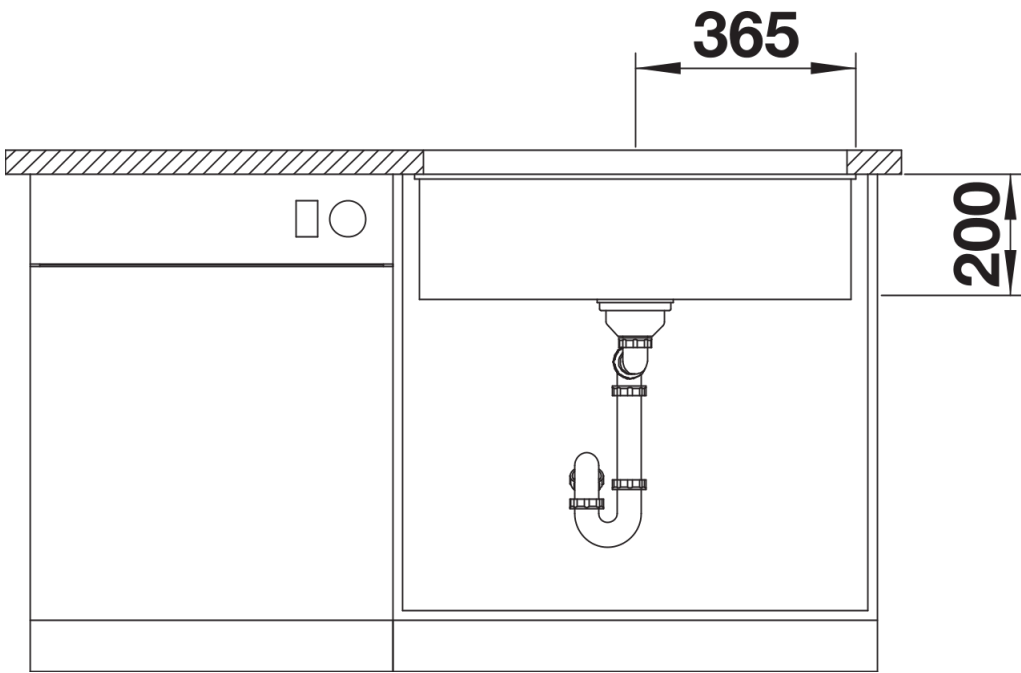
Details



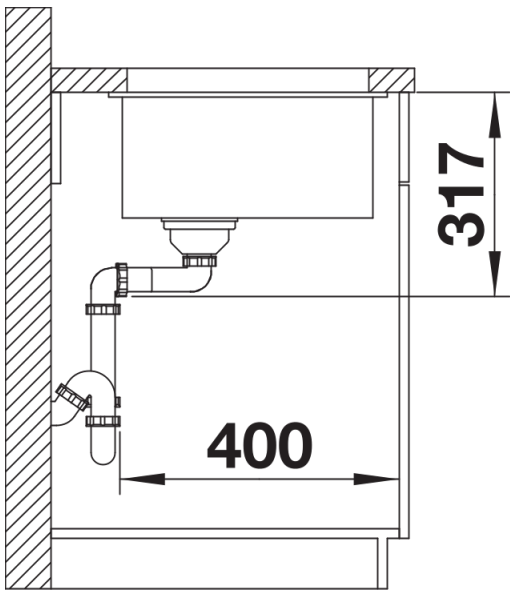
Top view



Cut-out



Front view



Side view