

Product information sheet SUBLINE 400-U for Coloured Components

Item no. 527786

Benefits



- Undermount bowl for discerning demands on design
- Timelessly elegant, contoured bowl design
- Entire system for a wide variety of plans featuring large and small bowls
- High quality features with covered C-overflow and InFino drain system – elegantly integrated and easy-care
- Optional versatile accessories are available
- Maximum colour flexibility by choosing complementing waste fitting set in satin gold, black matt, satin dark steel or satin platinum metal finishes (to be ordered with separate article number)

Colours



Available colours:

- black
- anthracite
- rock grey
- volcano grey
- white
- soft white
- tartufo
- coffee

SILGRANIT black

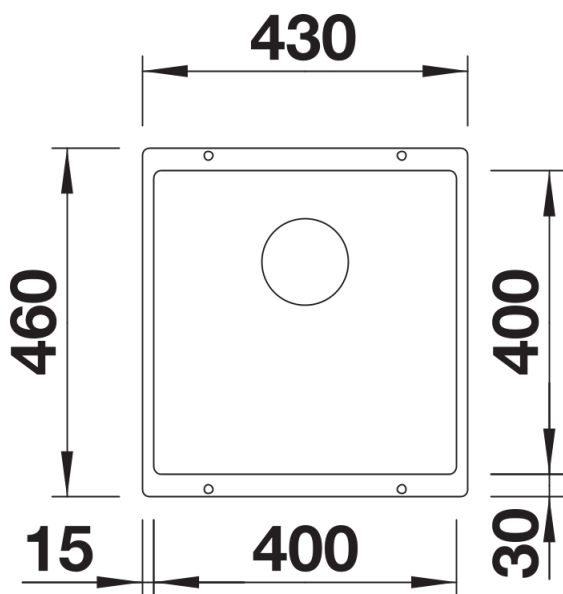
Planning information

- Cut out radius: 10 mm
- Note: Drainage components must be ordered separately.
- Note: Please order waste connections for combinations of two individual bowls separately.

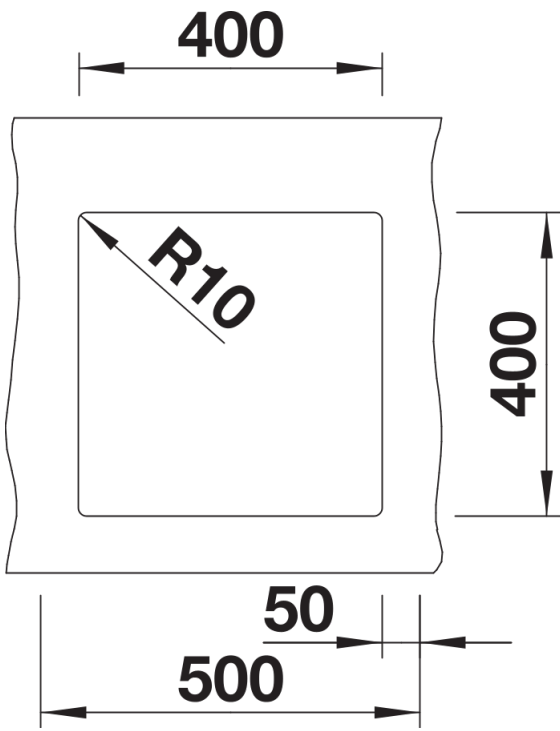
Scope of supply

- fixing kit

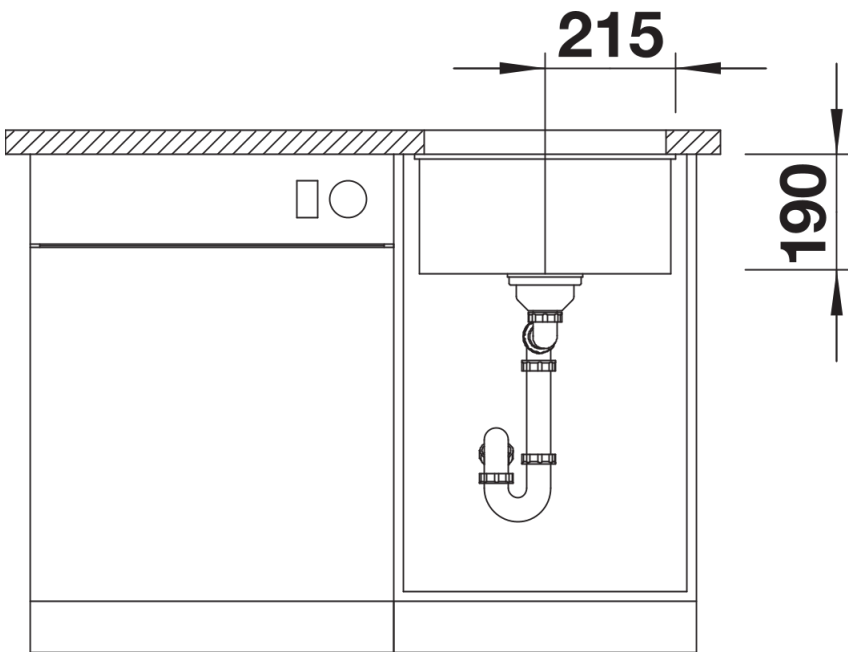
Details



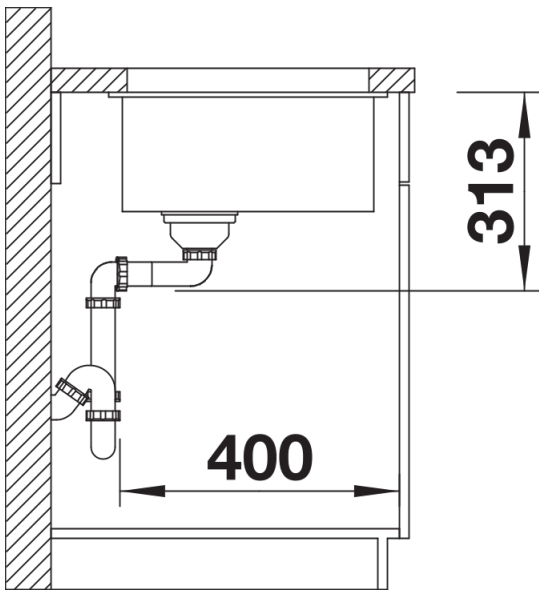
Top view



Cut-out



Front view



Side view