

Product information sheet SUBLINE 500-U for Coloured Components

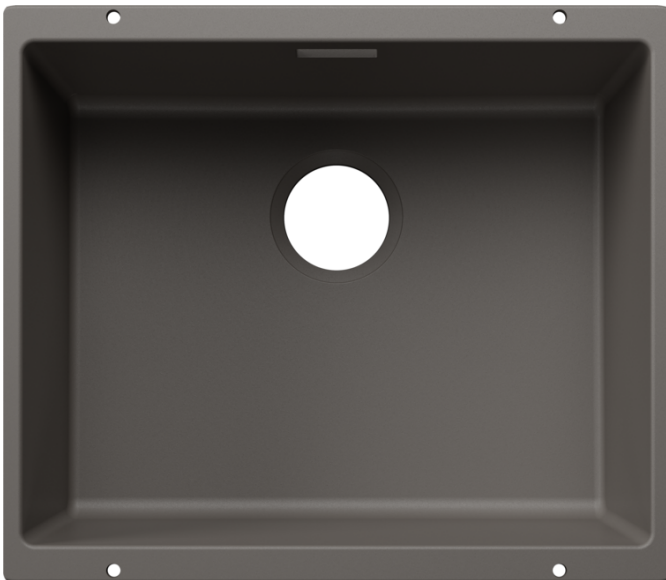
Item no. 527795

Benefits



- Undermount bowl for discerning demands on design
- Timelessly elegant, contoured bowl design
- High quality features with covered C-overflow and InFino drain system – elegantly integrated and easy-care
- Maximum colour flexibility by choosing complementing waste fitting set in satin gold, black matt, satin dark steel or satin platinum metal finishes
- Waste and coloured component set - needs to be ordered separately

Colours



Available colours:

- black
- anthracite
- rock grey
- volcano grey
- white
- soft white
- tartufo
- coffee

SILGRANIT volcano grey

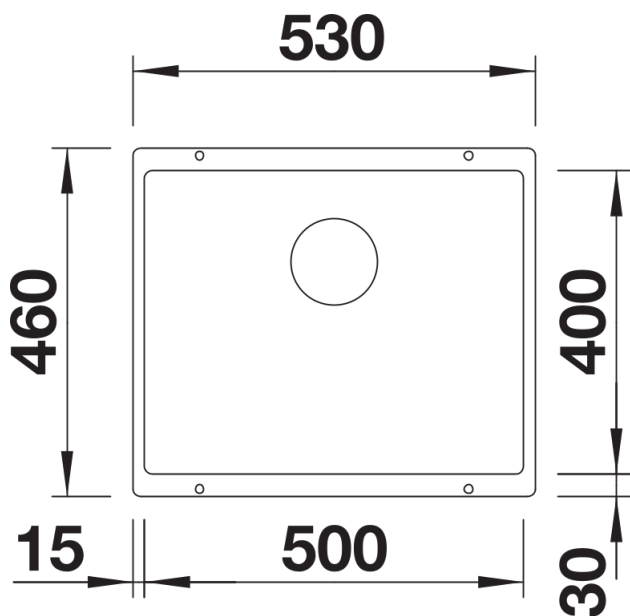
Planning information

- Cut out radius: 10 mm
- Note: Drainage components must be ordered separately.
- Note: Please order drain connections for combinations of two individual bowls separately.

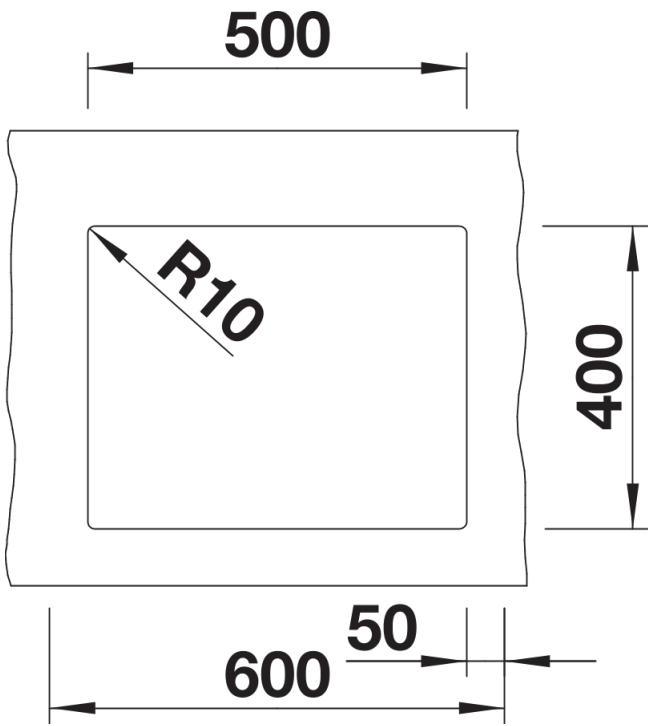
Scope of supply

- Fixing kit

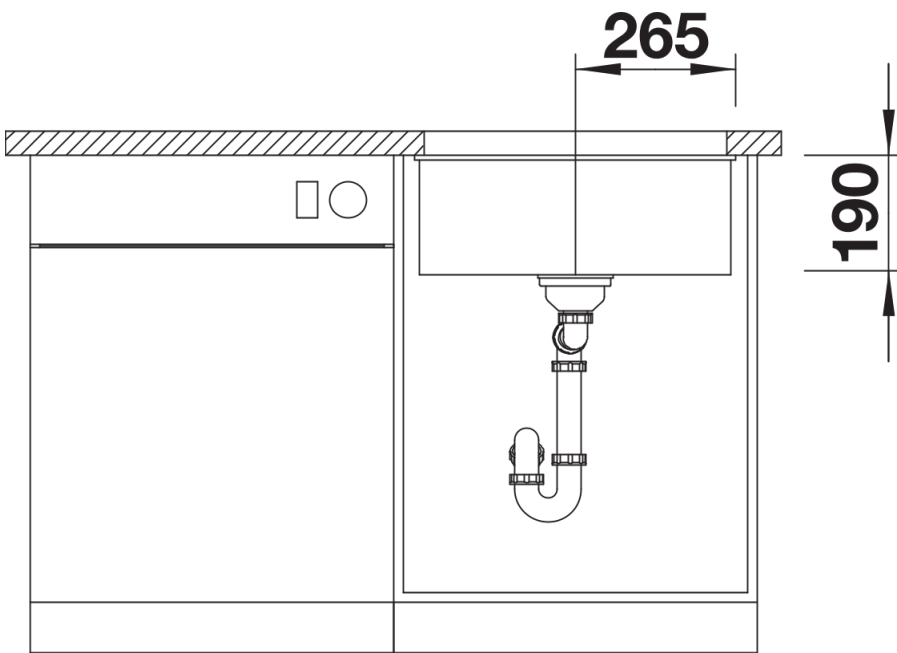
Details



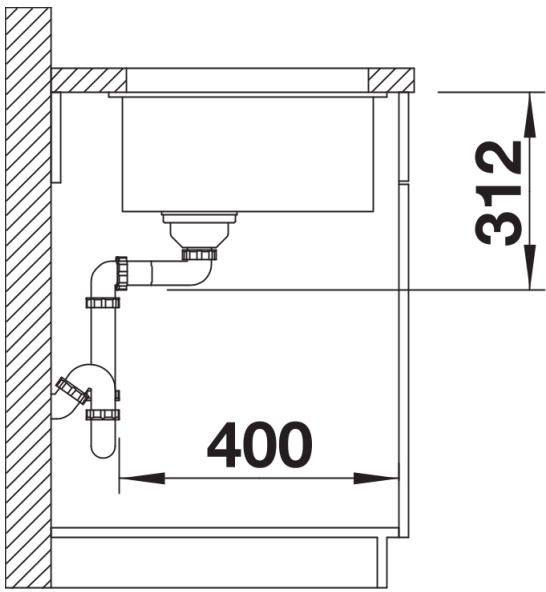
Top view



Cut-out



Front view



Side view