

Product information sheet SUBLINE 700-U for Coloured Components

Item no. 527808

Benefits



- Our versatile SUBLINE kitchen sink range almost wholly vanishes into the undermount, fitting harmoniously into the worktop: a must for minimalist kitchens
- Straight-lined design: timelessly elegant
- Extra large bowl for the mightiest baking trays, pots and pans
- Elegant InFino strainer for swift water drainage, less splashing and superfast sink drying

Colours



Available colours:

- black
- anthracite
- rock grey
- volcano grey
- white
- soft white
- tartufo
- coffee

SILGRANIT coffee

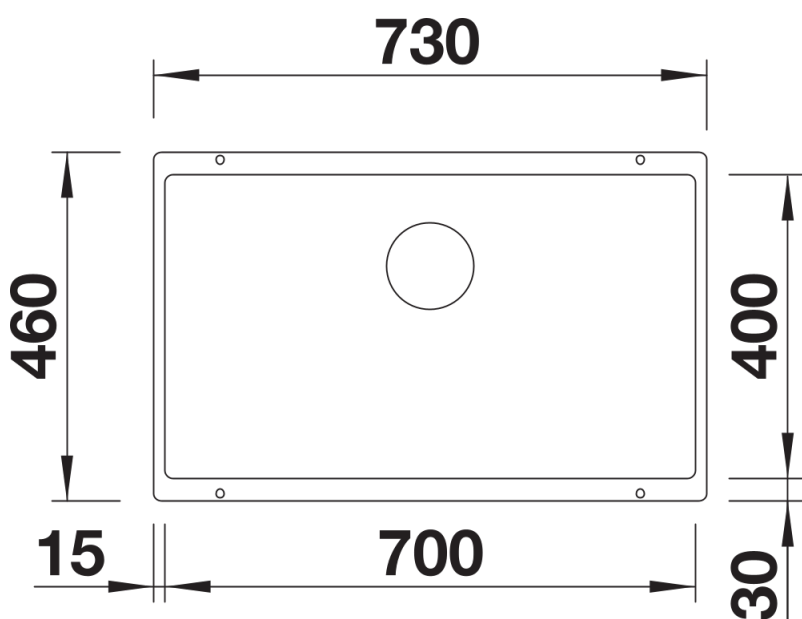
Planning information

- Cut out radius: 10 mm
- Note: Drainage components must be ordered separately.

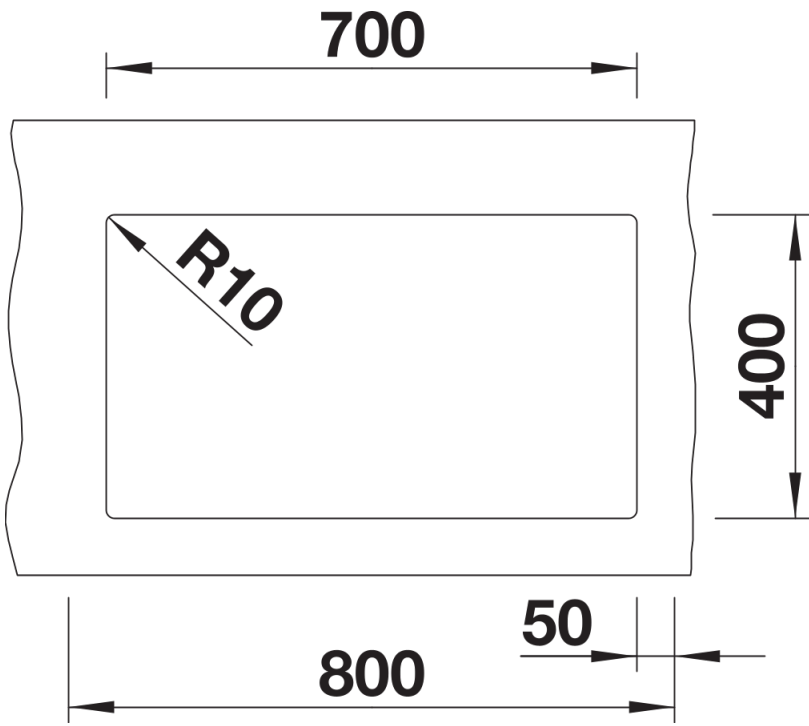
Scope of supply

- Fixing kit

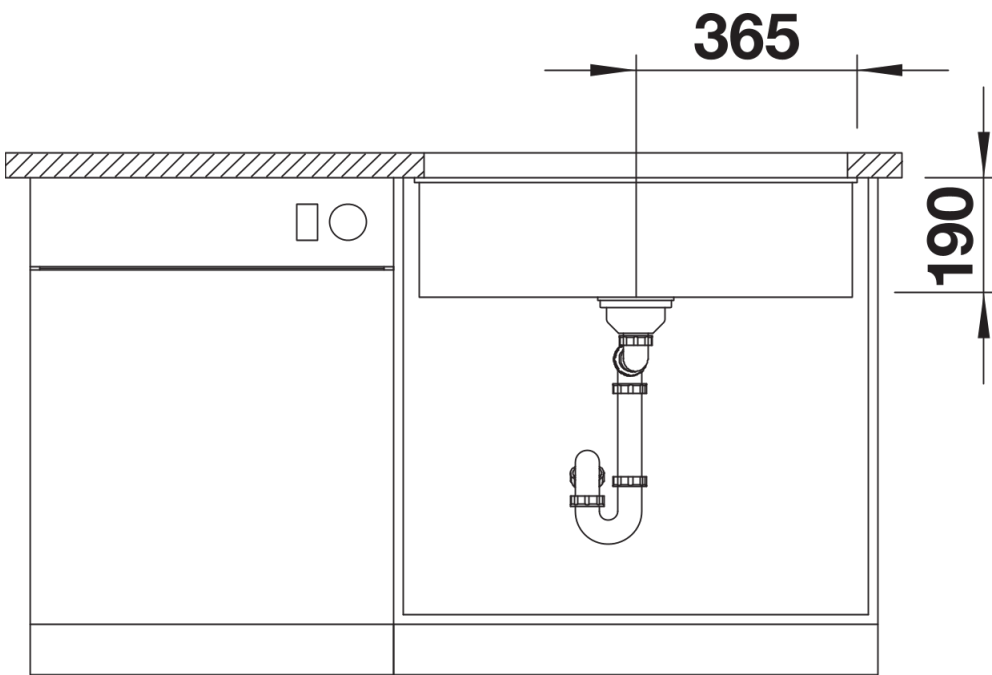
Details



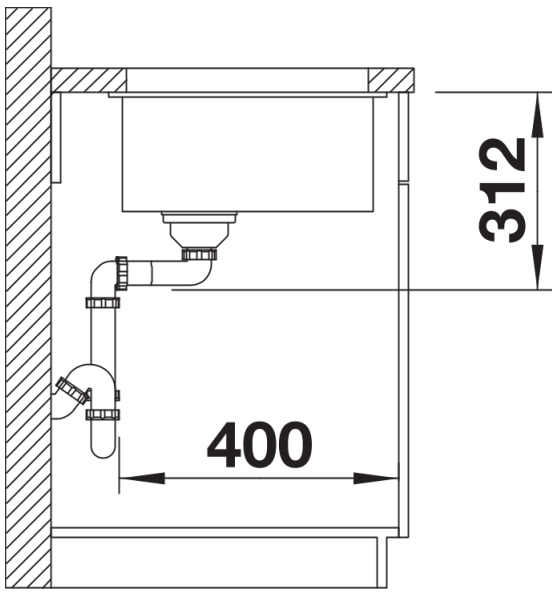
Top view



Cut-out



Front view



Side view