

Product information sheet BLANCO CULINA-S II Mini Sensor

Item no. 527466

Benefits



- Iconic mixer tap combining exquisite design with semi-professionality
- Manual or hands-free operation with ingenious dual sensor technology integrated in the hose arm and tap body for optimised kitchen workflows
- Wave sensor on the tap body activates hands-free operation
- Hands-free sensor on the spray arm activates automatic operation
- Supplied with electrical plug with integrated battery backup

Colours



Available colours:

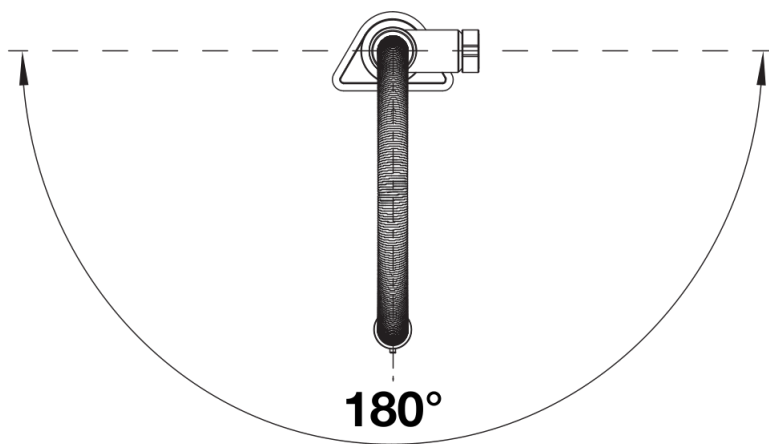
PVD steel

PVD PVD steel

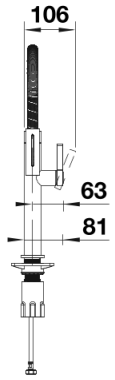
Scope of supply

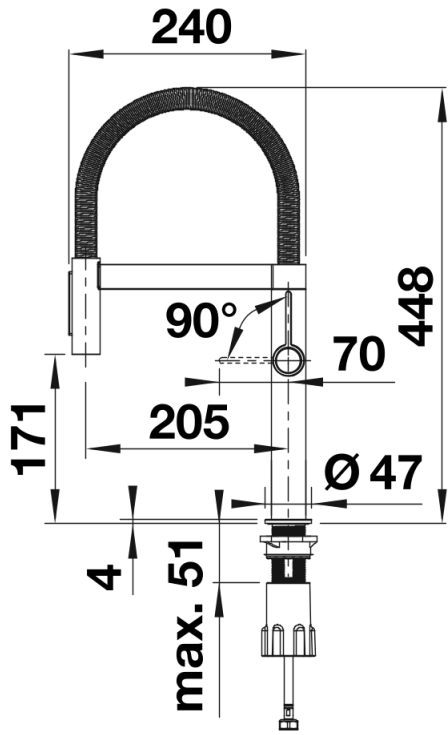
- Electrical connection to 230V required
- Battery backup and batteries included
- With electronic cartridge and valve box
- Easy and fast professional mixer tap installation with the BLANCOLock
- Metal-sheathed spray hose
- 180° swivel spout for greater reach
- Ø 35mm tap hole required
- 700mm flexible connection pipes with $\frac{3}{8}$ " nut for easier installation
- Requires balanced high pressure supply only, minimum 1.0 bar
- Fit metal stabilising bracket if required, item No. 513383

Details



Swivel range





Side view