

Product information sheet ANDANO 400-IF

Item no. 522957

Benefits



- Balanced composition of optical and functional elements
- The combination of radii and surface design creates a modern design
- High quality features consisting of a covered C-overflow and modern basket strainer
- Large bowl capacity and fully usable base
- For installation from above
- Optional premium accessories are available

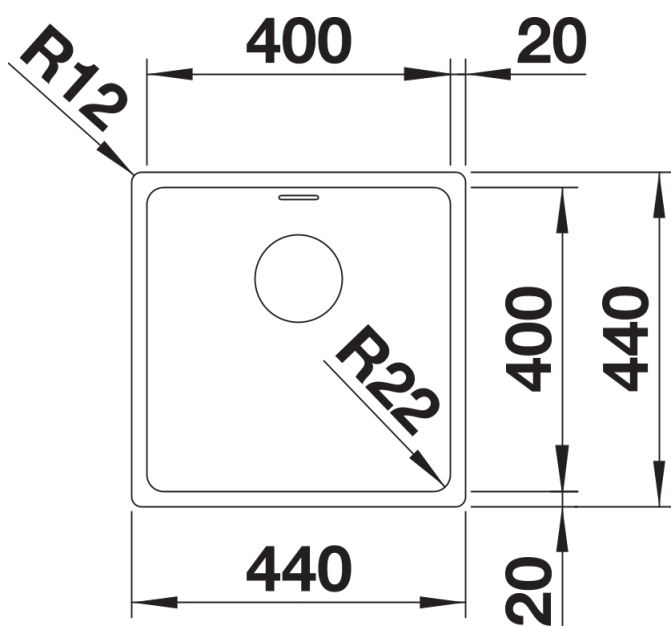
Planning information

- Cut out size: 430 x 430 x R15
- Universal handing

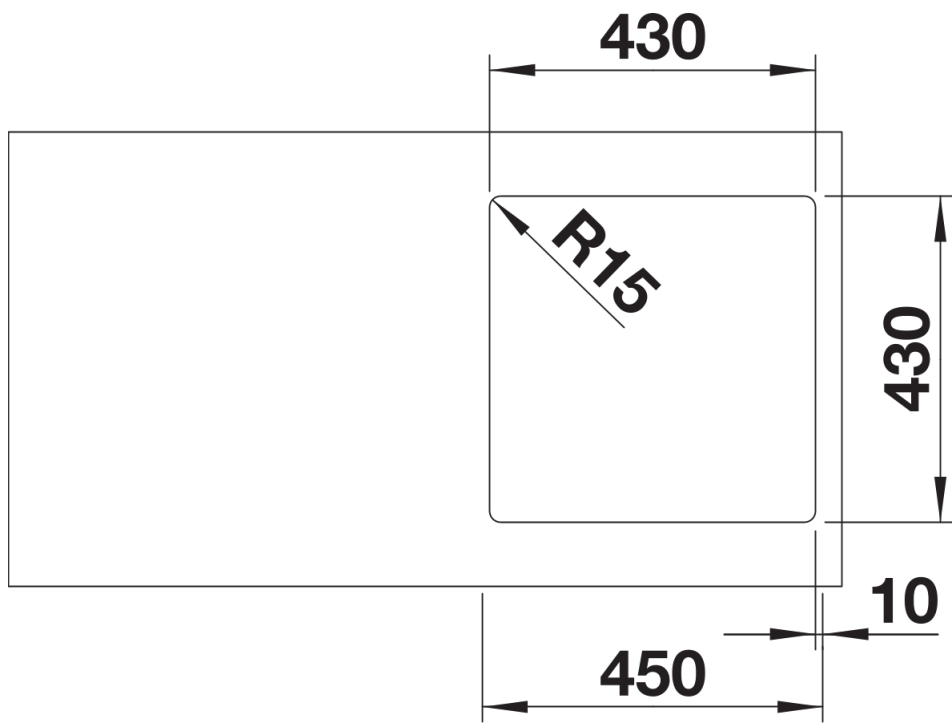
Scope of supply

- Waste and overflow fitting with space-saving pipe
- 3 1/2" basket strainer
- fixing kit (sealing not included)

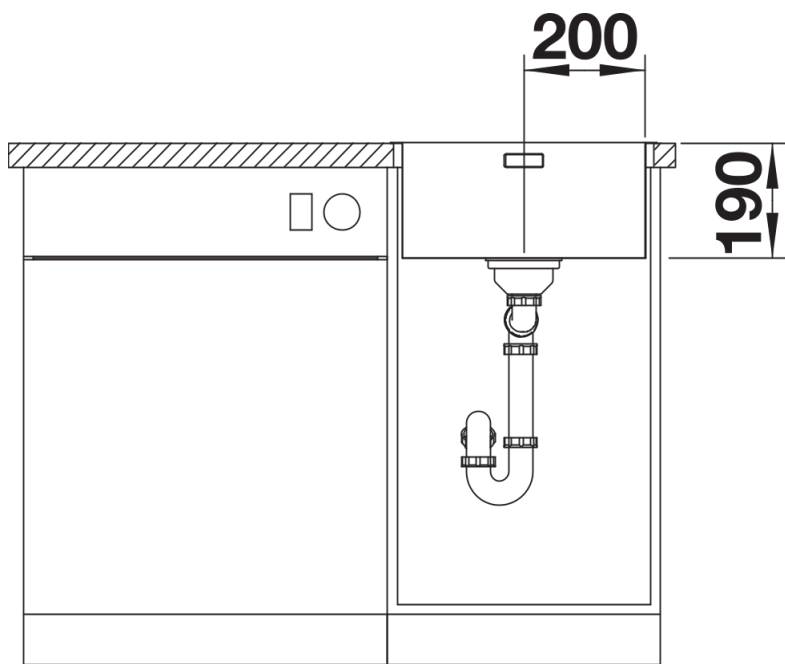
Details



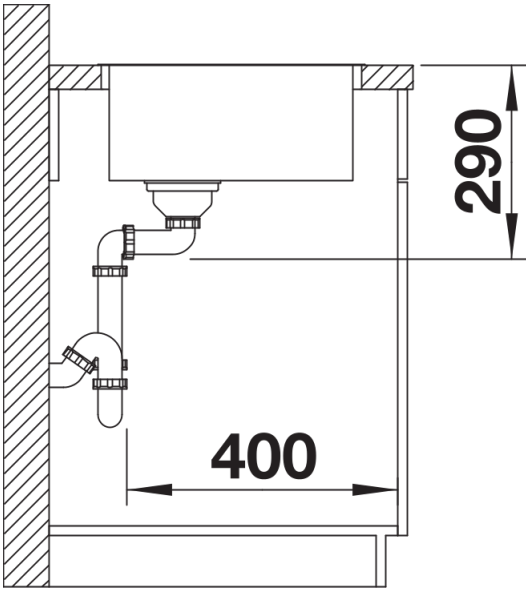
Top view



Cut-out



Front view



Side view