

Product information sheet CARENA

Item no. 520766

Benefits



- Modern premium mixer tap
- High arched outlet for easy filling of pots and vases
- High positioned, ergonomic control lever

Colours



Available colours:

chrome

galvanic chrome

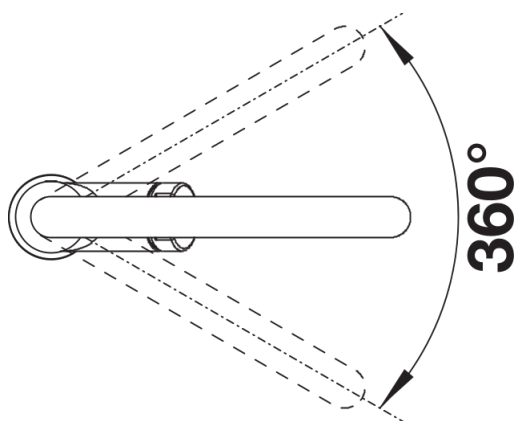
Planning information

- Please note:
- Requires a balanced high pressure supply only, min 2.0 bar, preferred 2.0 - 2.5 bar
- Height: 400
- Reach: 200
- Base: 50
- Tap hole: $\varnothing 35$

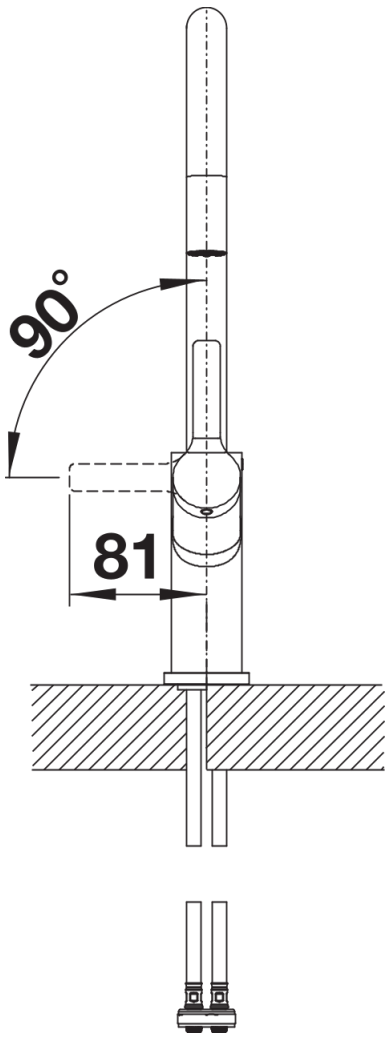
Scope of supply

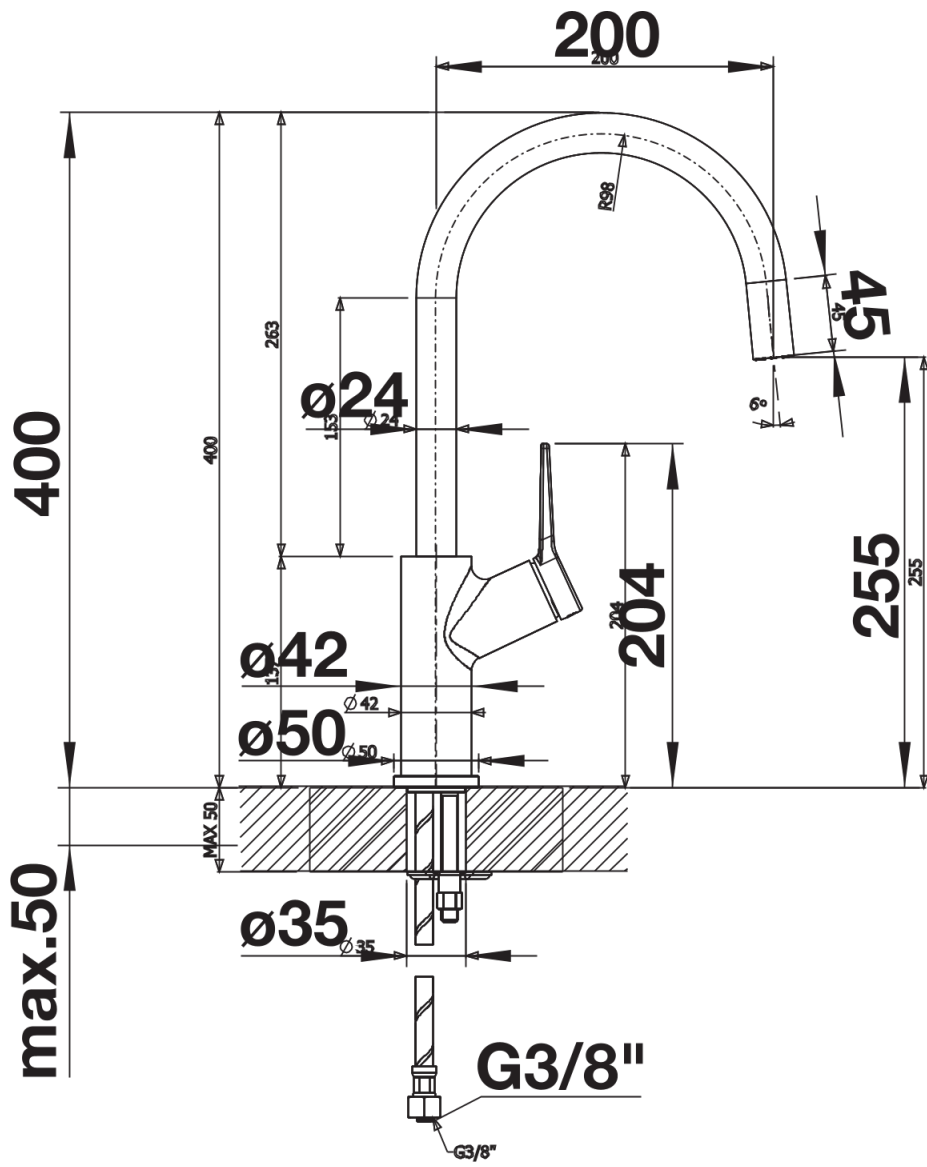
- $\varnothing 35$ mm tap hole required
- Flexible connector pipes, 500 mm long and $\frac{3}{8}$ " nut
- Requires a balanced high pressure supply only, minimum 1.0 bar
- Fit metal stabilising bracket if required, item number 513383

Details



Swivel range





Side view