

Product information sheet ZIA 5 S

Item no. 520515

Benefits



- Modern design with clear lines
- Straight-lined outer contour emphasised by the narrow rim
- Characteristic tap ledge as a frame that enlarges the drainer

Colours



Available colours:

- black
- anthracite
- volcano grey
- white
- soft white

SILGRANIT white

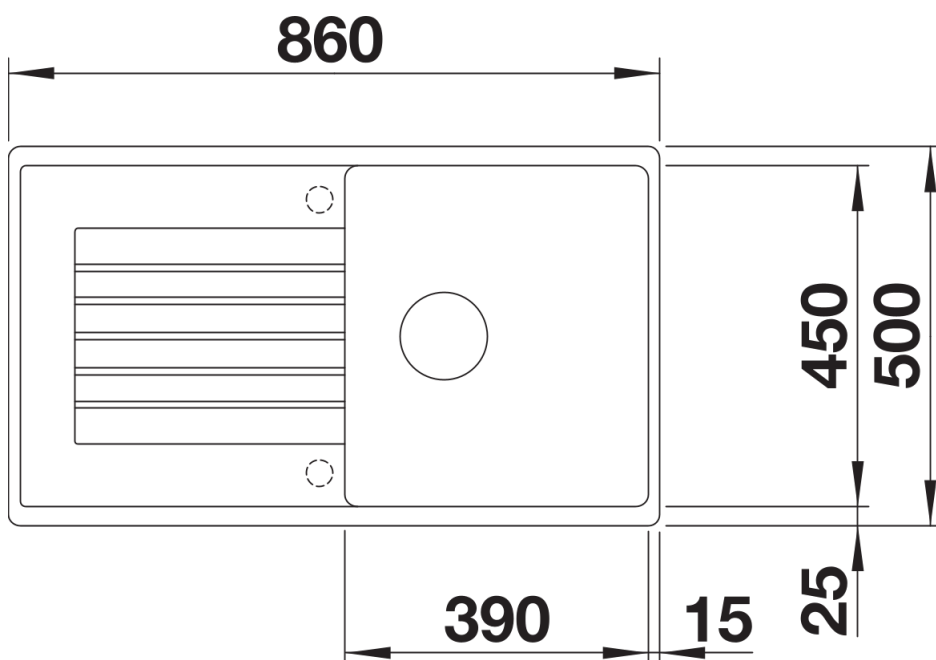
Planning information

- Cut out size: 840 x 480 x R15, Universal handing

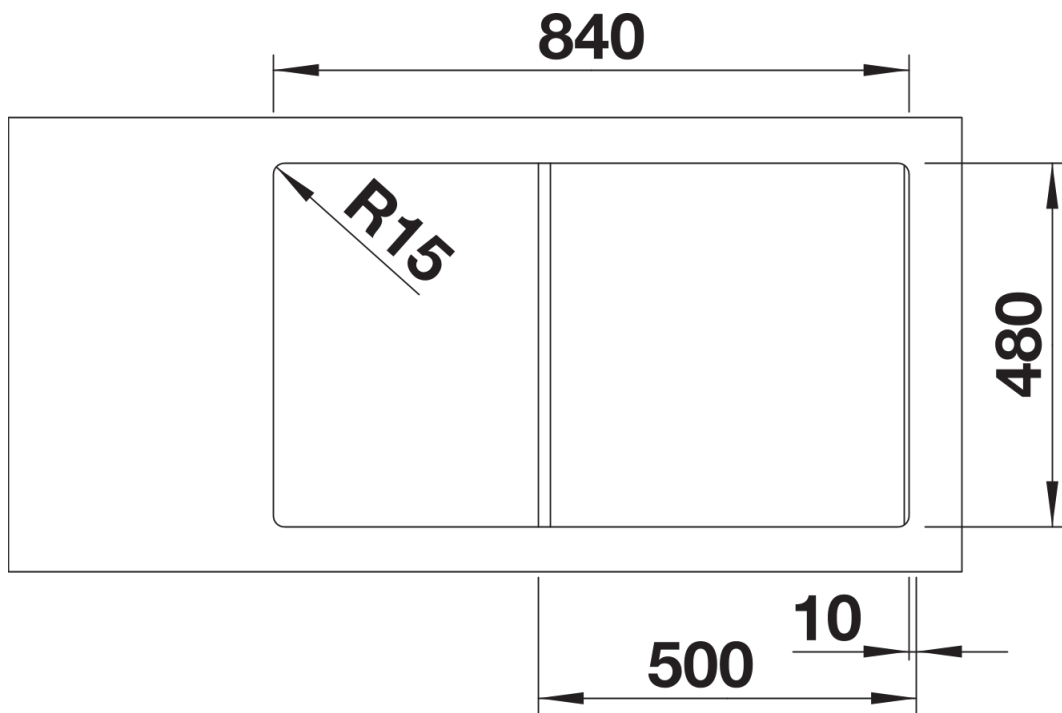
Scope of supply

- Waste fitting with space-saving pipe
- 3 1/2" basket strainer

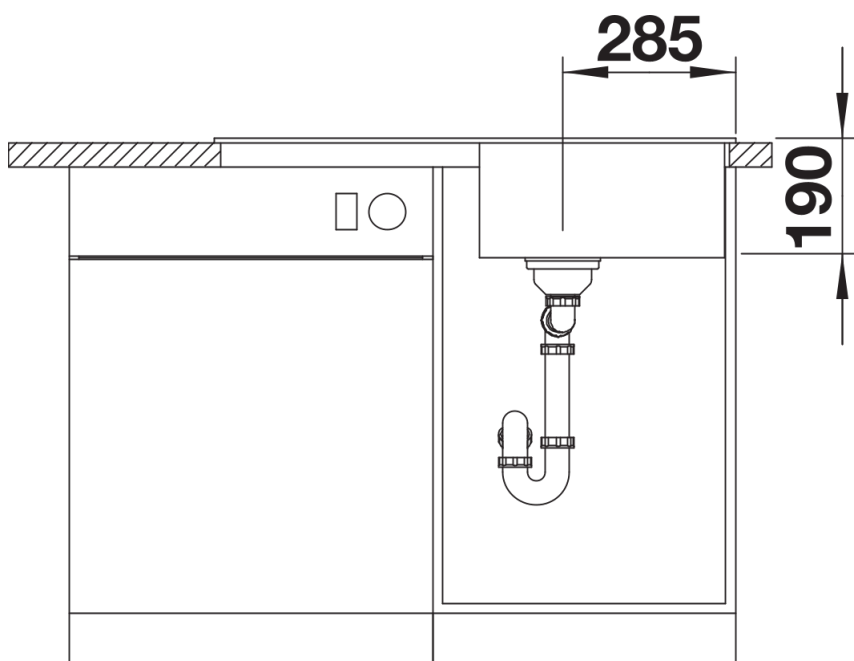
Details



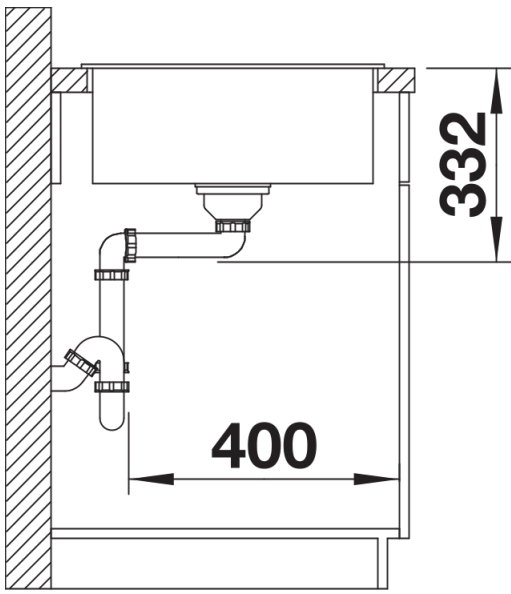
Top view



Cut-out



Front view



Side view