

## Product information sheet ZIA 5 S

Item no. 526016

### Benefits

---



- Modern design with clear lines
- Straight-lined outer contour emphasised by the narrow rim
- Characteristic tap ledge as a frame that enlarges the drainer

### Colours

---



Available colours:

- black
- anthracite
- volcano grey
- white
- soft white

SILGRANIT black

## Planning information

---

- Cut out size: 840 x 480 x R15, Universal handing

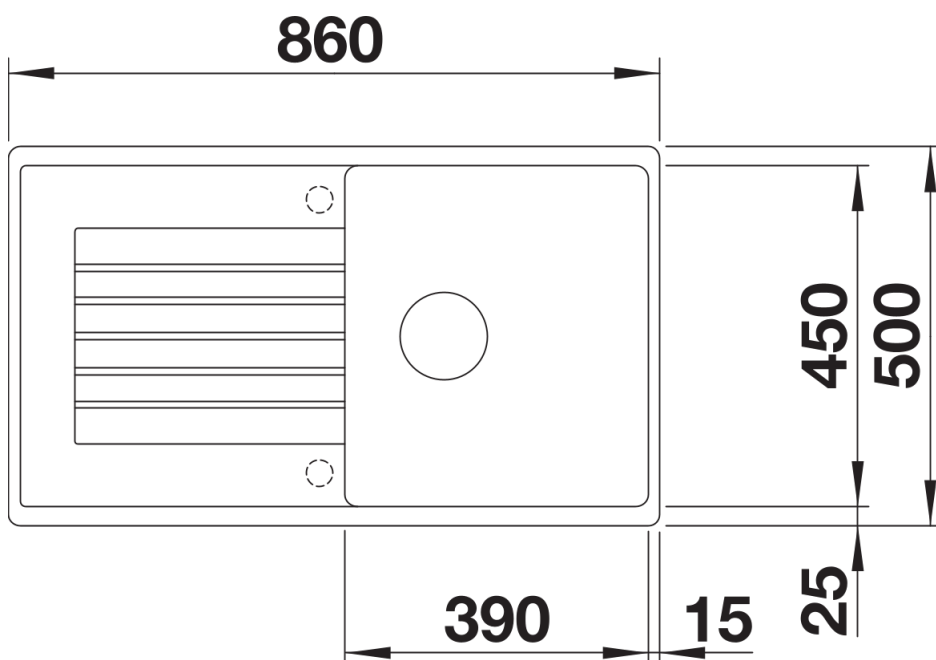
## Scope of supply

---

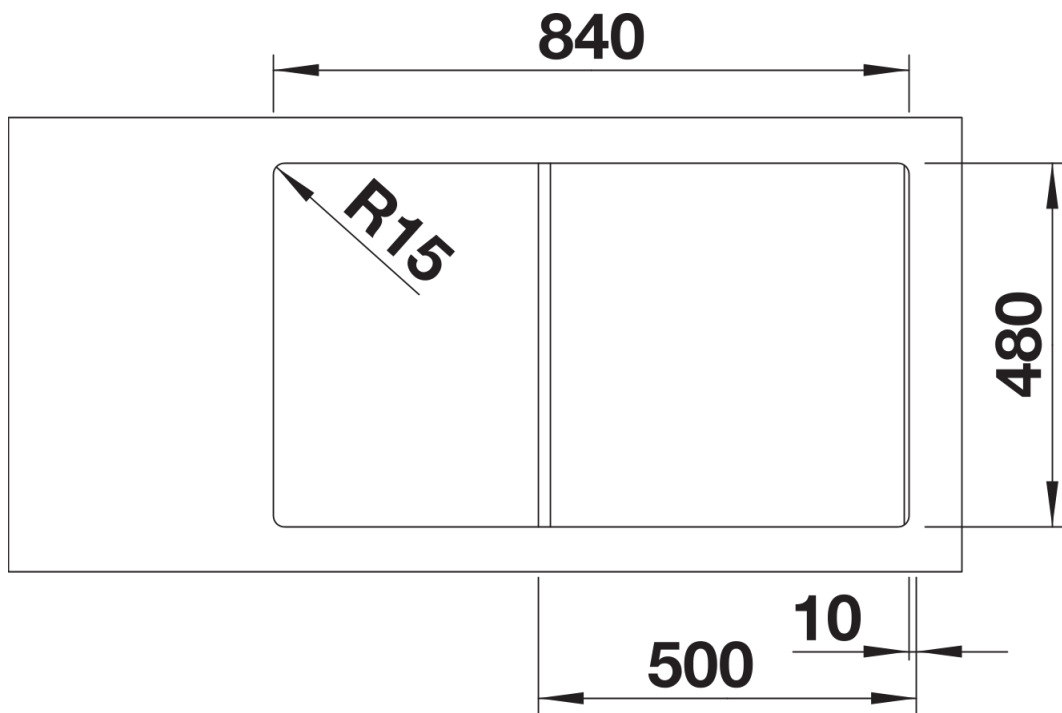
- Waste fitting with space-saving pipe  
- 3 ½" basket strainer

## Details

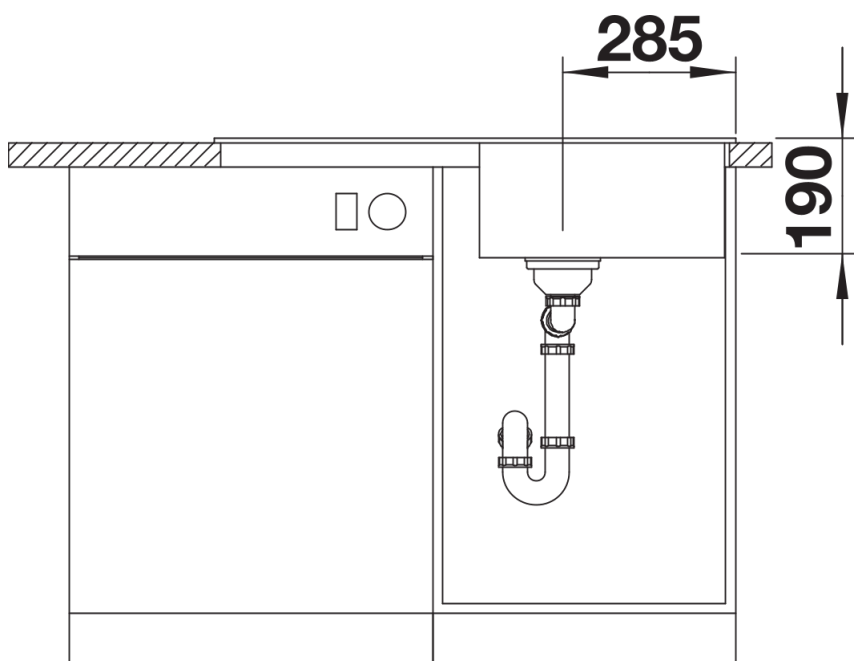
---



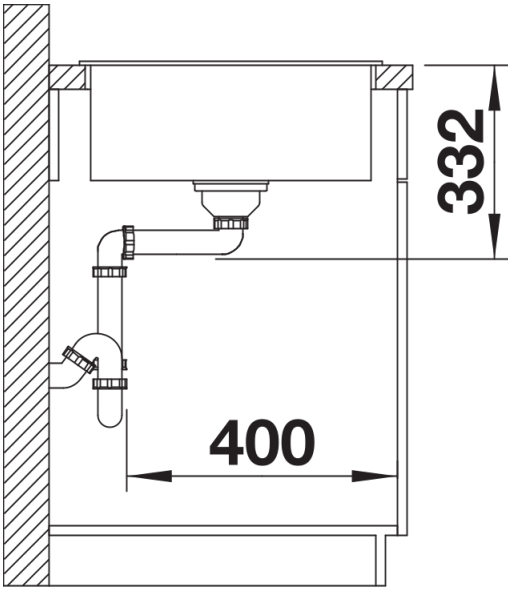
Top view



Cut-out



Front view



Side view