

## Product information sheet AMBIS

Item no. 523118

### Benefits

---



- High-quality design in solid stainless steel, brushed finish
- Clear mixer tap design for modern kitchens
- Plenty of freedom of movement and easy to operate thanks to the high spout

### Colours

---



Available colours:  
brushed stainless steel

solid brushed stainless steel

## Planning information

---

- Please Note:
- High pressure supply only. Requires minimum of 1.0 bar pressure (approx. 10 metre head preferred 1.0-1.5 bar)
- Height: 255mm
- Reach: 271mm
- Base: 52mm
- Tap hole:  $\varnothing$ 35mm

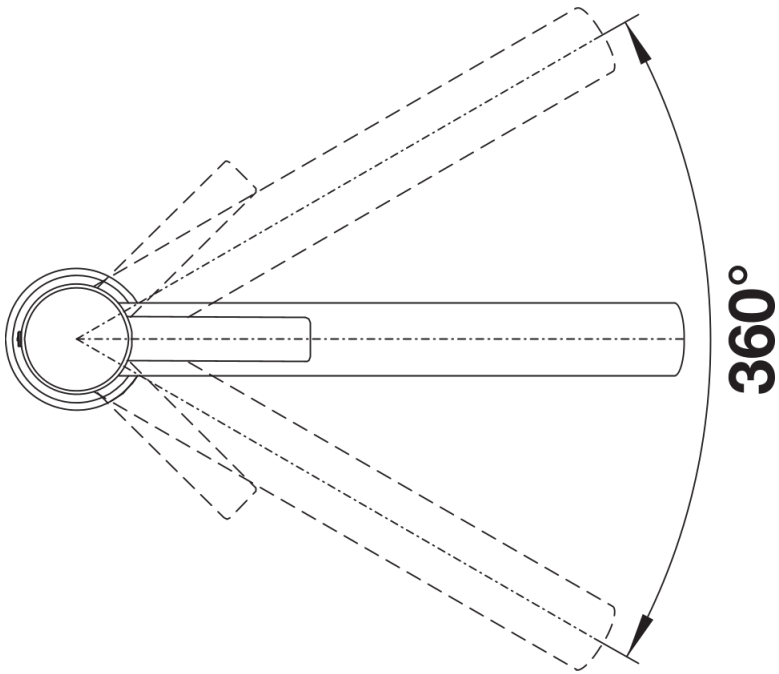
## Scope of supply

---

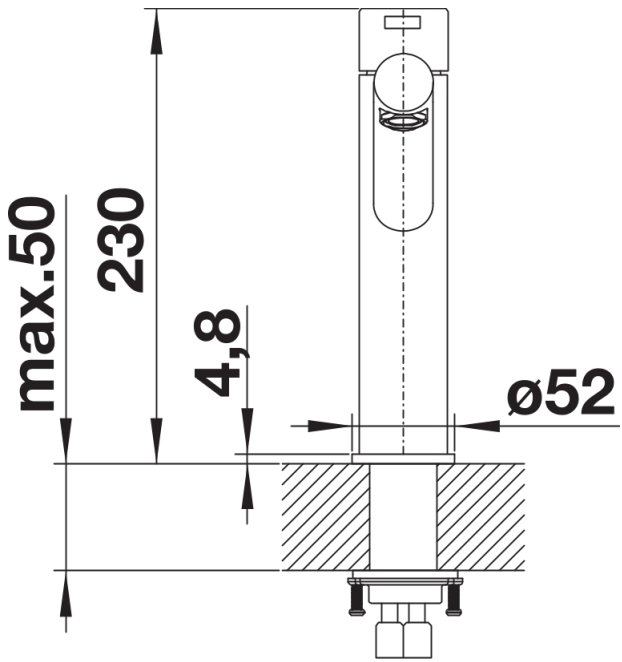
- $\varnothing$  35 mm tap hole required
- Flexible connector pipes, 700 mm long and  $\frac{3}{8}$ " nut
- Requires balanced high pressure supply only, minimum 1.0 bar
- Fit metal stabilising bracket if required, item number 513383

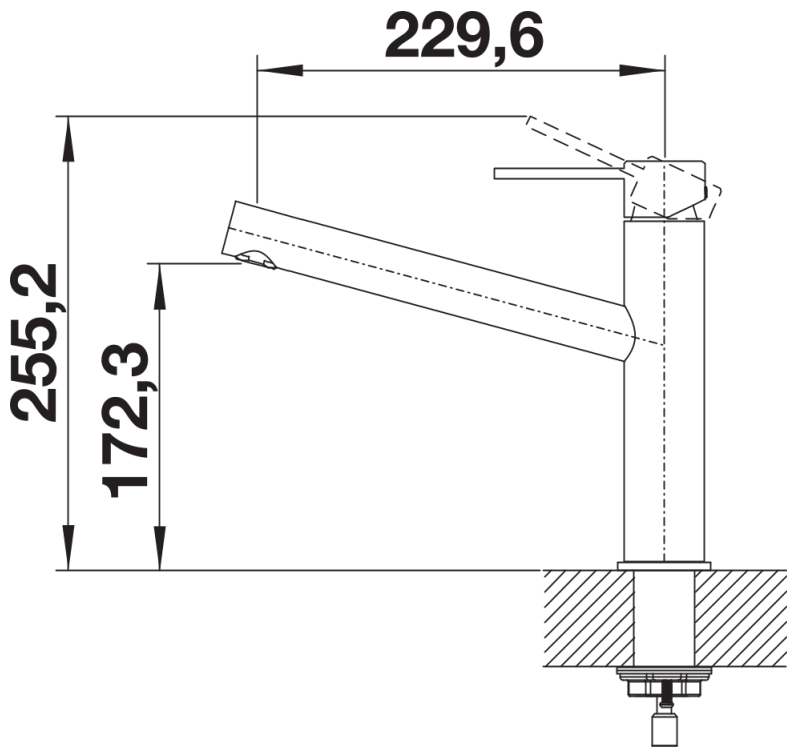
## Details

---



Swivel range





Side view