

Product information sheet ANDANO 500/180-U

Item no. 522989

Benefits



- Unique composition of visual forms and functional detailing
- The combination of radii and surface design creates a modern design
- High quality features consisting of a covered C-overflow and modern basket strainer
- For undermount installation
- Optional premium accessories are available

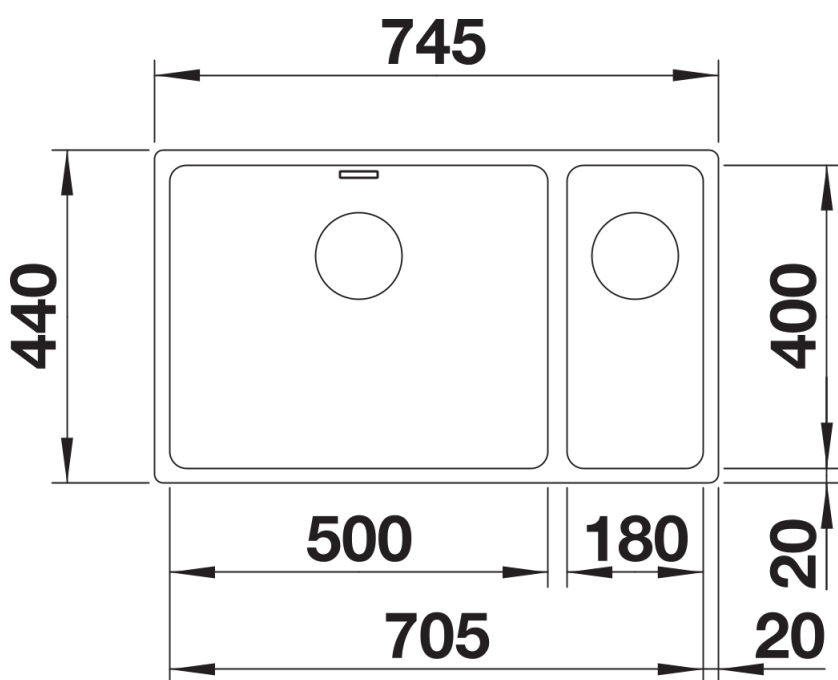
Planning information

- Cut out: 705 x 400 x R22
- Please state hand of bowl

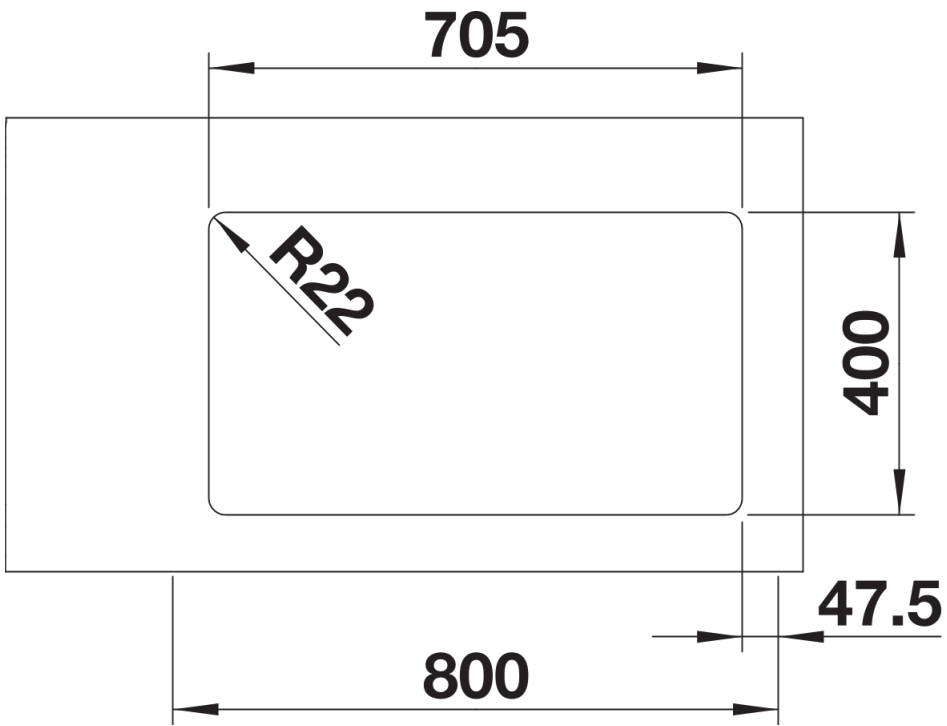
Scope of supply

- Waste and overflow fitting with space-saving pipe
- 3 ½" InFino basket strainer
- fixing kit included

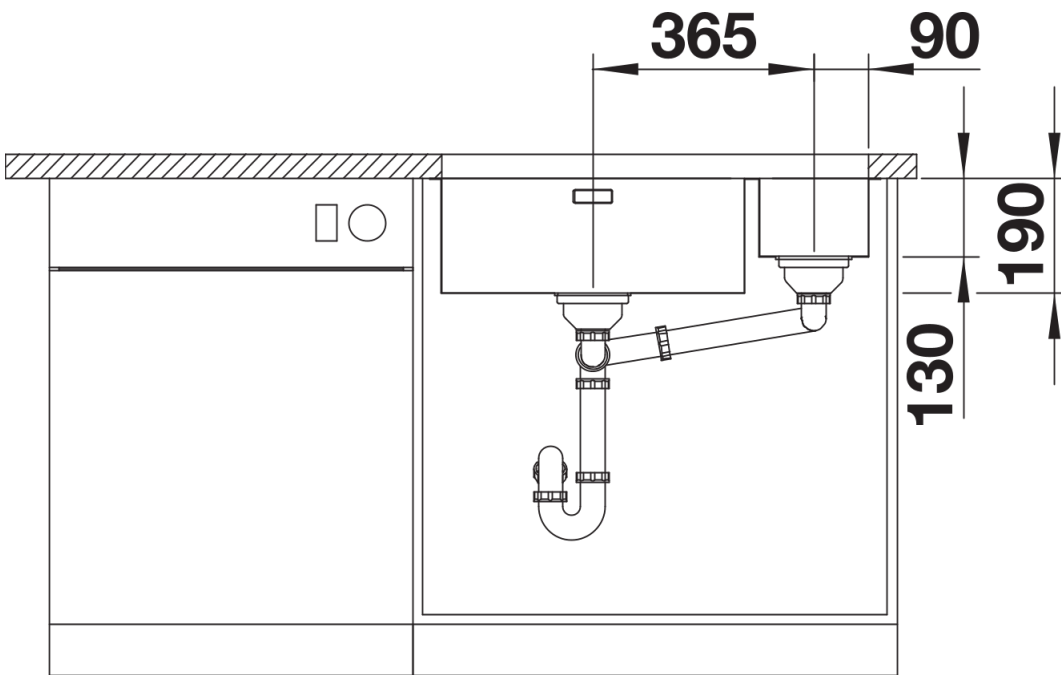
Details



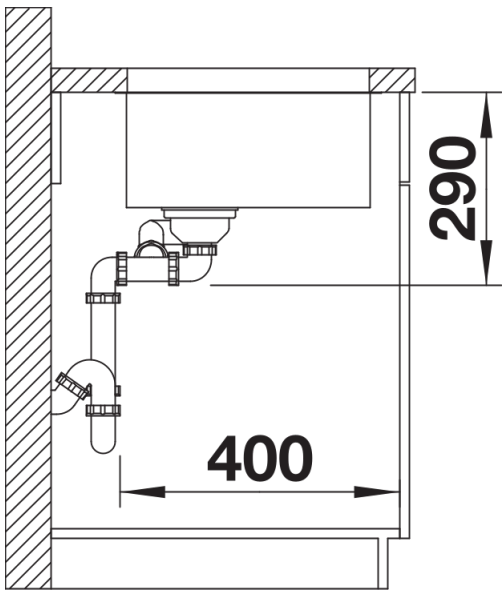
Top view



Cut-out



Front view



Side view