

## Product information sheet ANDANO 400/400-U

Item no. 522987

### Benefits

---



- Unique composition of visual forms and functional detailing
- The combination of radii and surface design creates a modern design
- High quality features consisting of a covered C-overflow and InFino drain system - elegantly integrated and easy-care
- For undermount installation

## Planning information

---

- Cut out: 825 x 400 x R22
- Universal handing

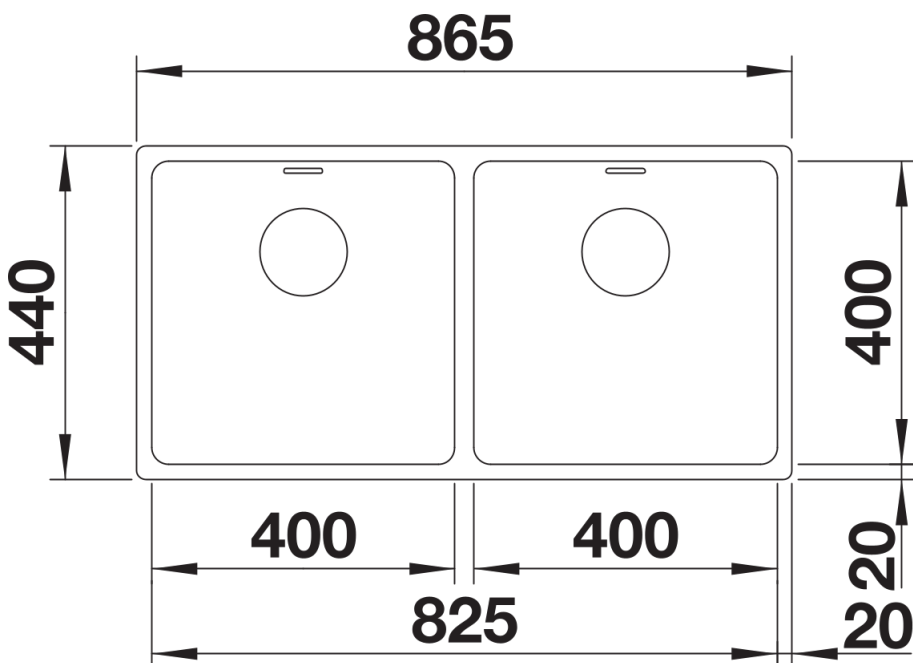
## Scope of supply

---

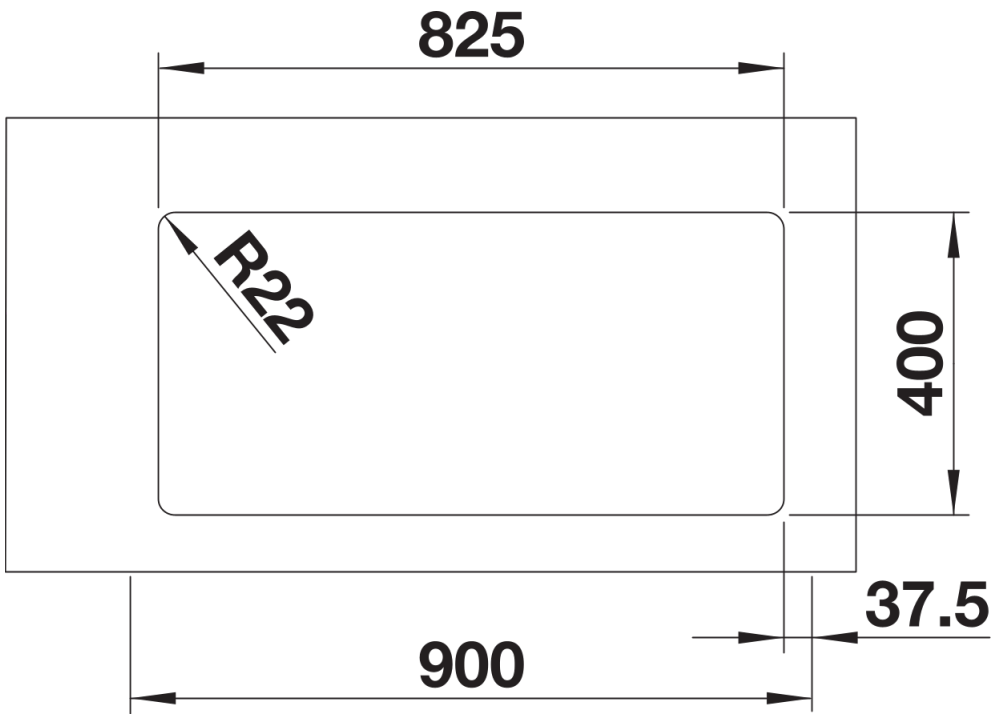
- Waste and overflow fitting with space-saving pipe
- 3 ½" InFino basket strainer
- fixing kit included

## Details

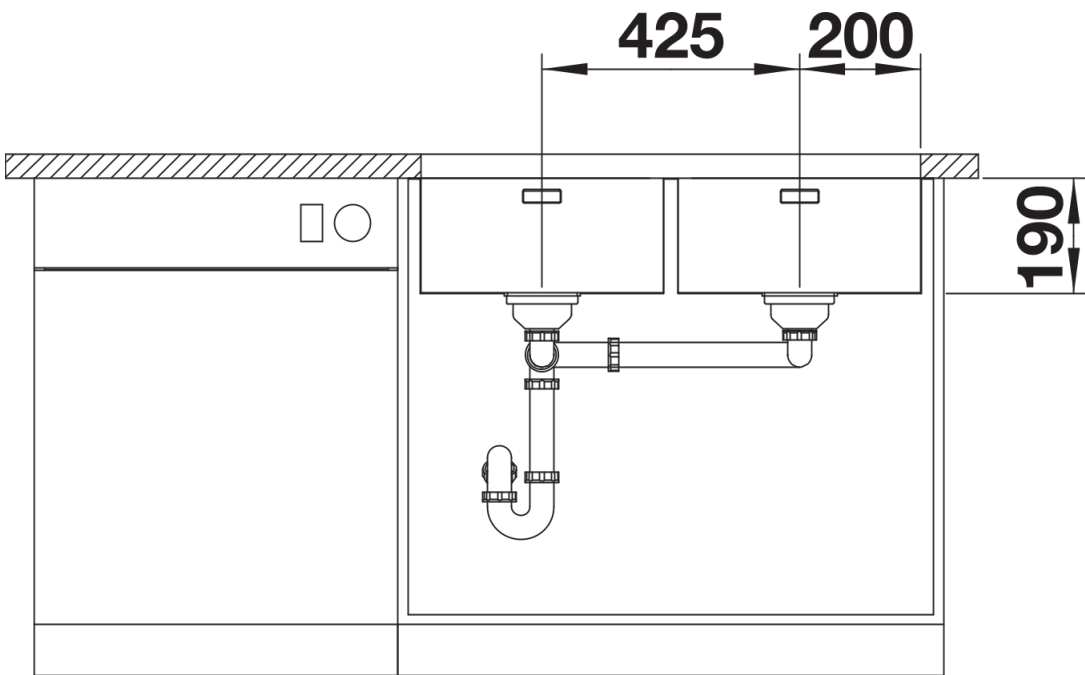
---



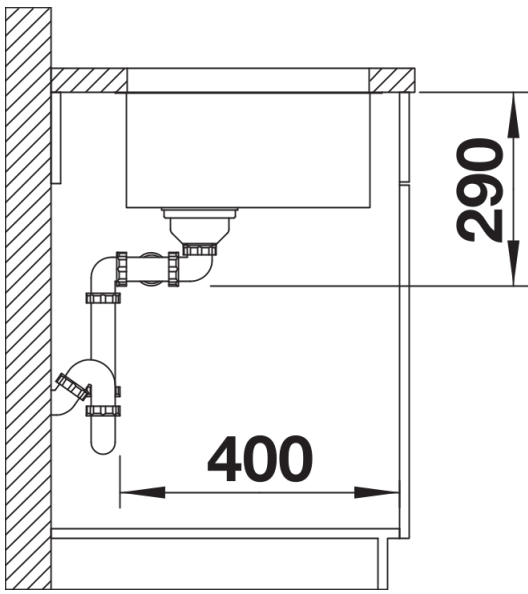
Top view



Cut-out



Front view



Side view