

Product information sheet CANDOR-S

Item no. 523121

Benefits



- High-quality execution in solid stainless steel
- Clear mixer tap design for modern kitchens
- Arched high spout for easy filling of pots and vases
- Single lever monobloc mixer tap with pull-out metal tap head on a flexi-hose

Colours



Available colours:
brushed stainless steel

solid brushed stainless steel

Planning information

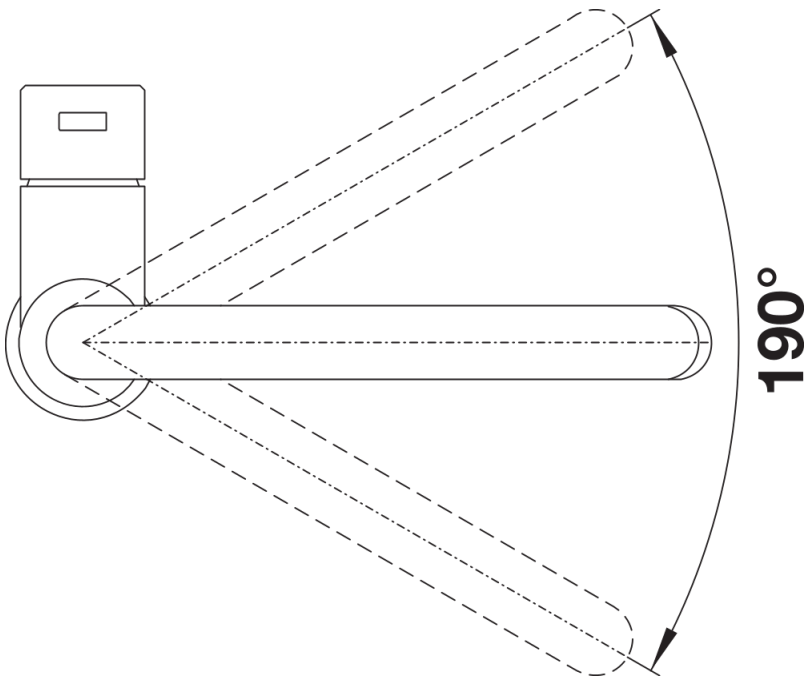
Please note:

- High pressure balanced supply only requires 1 bar minimum pressure 1.0-1.5 bar recommended
- Height: 367mm
- Reach: 225mm
- Base: 52mm
- Tap hole: ø35mm

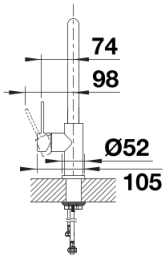
Scope of supply

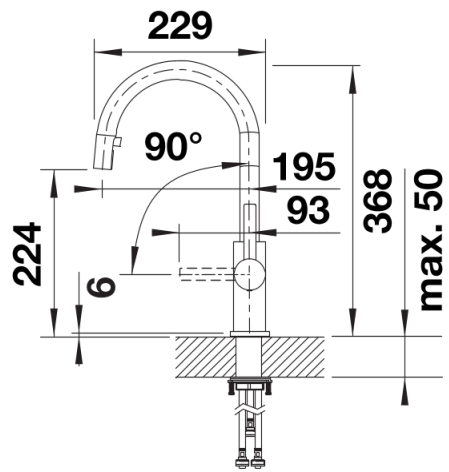
- Ø 35 mm tap hole required
- Flexible connector pipes, 700 mm long and 3/8" nut
- Requires balanced high pressure supply only, minimum pressure 1.0 bar
- Fit metal stabilising bracket if required, item number 513383

Details



Swivel range





Side view