

Product information sheet ELOSCOPE-F II

Item no. 516672

Benefits



- Suitable for installation beneath window
- Clear, uncompromising design for modern kitchens
- Easily hand-operated
- For installation in front of window
- High spout for easier filling of pans and vases
- Only 30 mm min. distance between sink and window aisle
- Uniform tap holes for tap and operating lever

Colours



Available colours:
chrome

galvanic chrome

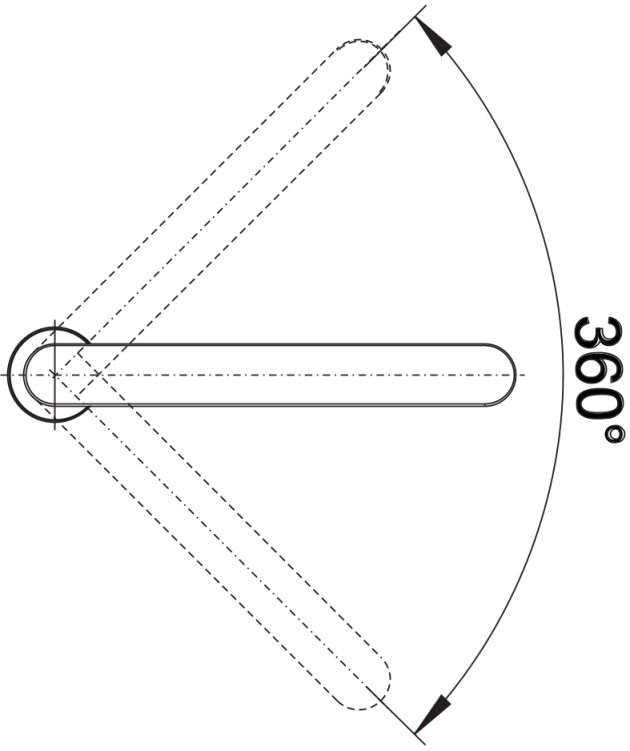
Planning information

- Please note:
- High pressure supply only - Min. 1.0 bar pressure (approx 10 metre head) preferred 1.0 - 1.5 bar
- Height: 20-256 adjustable
- Reach: 242
- Base: 52
- Tap hole: $\varnothing 35 \times 2$
- Installation depth of BLANCO ELOSCOPE-F II: 470 mm (incl. spray hose). Otherwise risk of collision with waste separation system, boiler etc.)
- Min. distance between sink and window aisle 3 cm

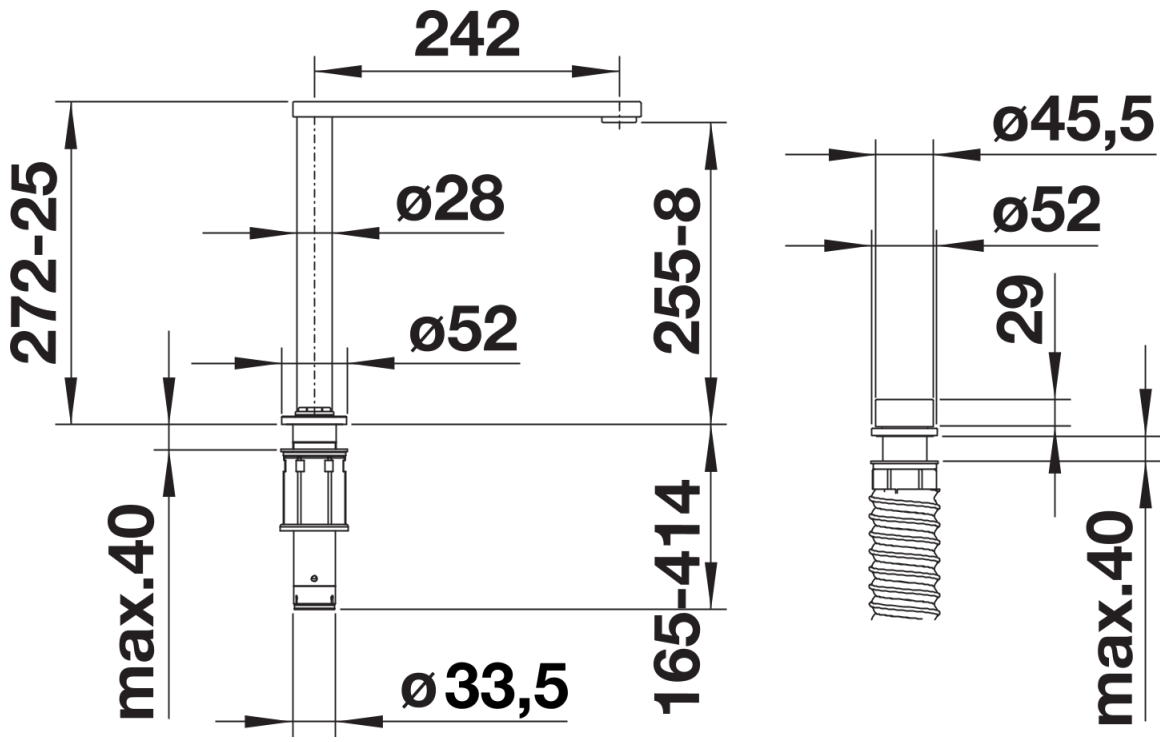
Scope of supply

- 2 x $\varnothing 35$ mm tap holes required for tap and operating lever
- Flexible connector pipes, 700mm long and $\frac{3}{8}$ " nut
- Requires balanced high pressure supply only, minimum 1.0 bar
- Fit metal stabilising bracket if required, item number 513383

Details



Swivel range



Side view