

Product information sheet ETAGON 500-U

Item no. 522231

Benefits



- Generous staggered bowl with added functionality
- Integrated step creates an additional functional level
- Clever bowl concept with versatile ETAGON rails
- High-quality features with covered C-overflow and InFino drain system - elegantly integrated and easy-care
- The ETAGON family of sinks are available in Stainless steel, Silgranit and Ceramic material options
- ETAGON gives you a time-saving, space saving, creative hub at the heart of your kitchen

Colours



Available colours:

- black
- anthracite
- rock grey
- volcano grey
- white
- soft white
- tartufo
- coffee

SILGRANIT white

Planning information

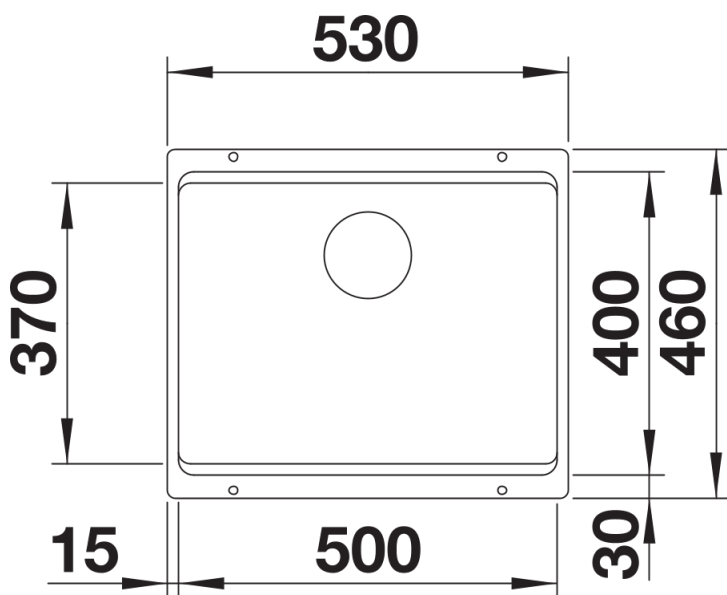
- Cut out size: 500 x 400 x R20, Universal handing

Scope of supply

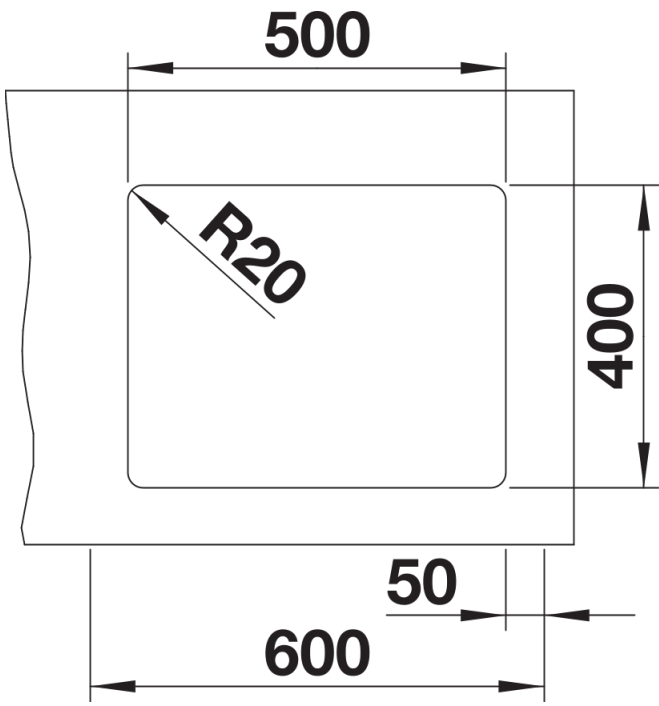
- With ETAGON rails in stainless steel
- waste fitting with space-saving pipe
- 3 ½" InFino basket strainer

234164 - 2 x ETAGON rails

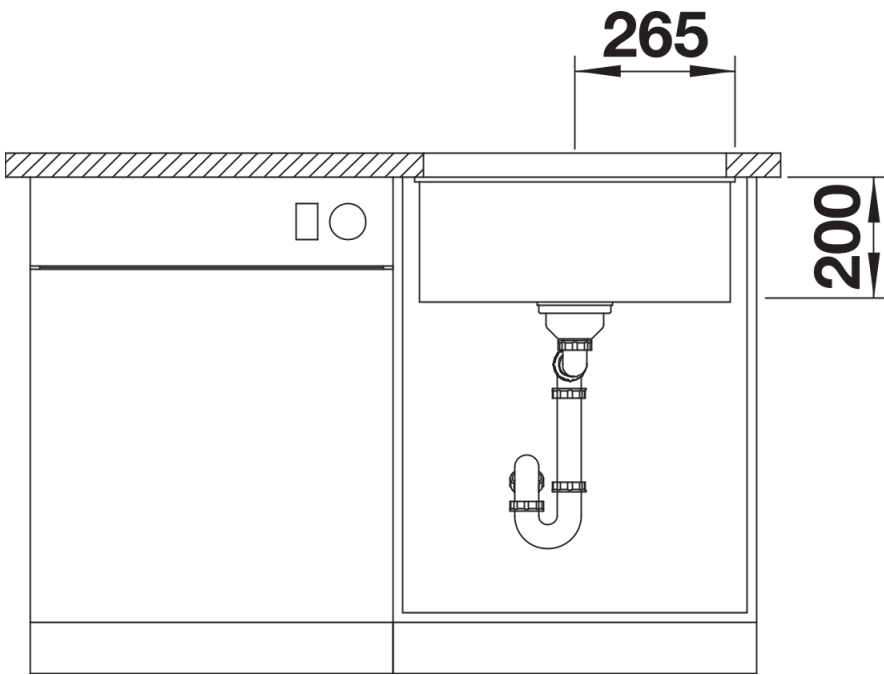
Details



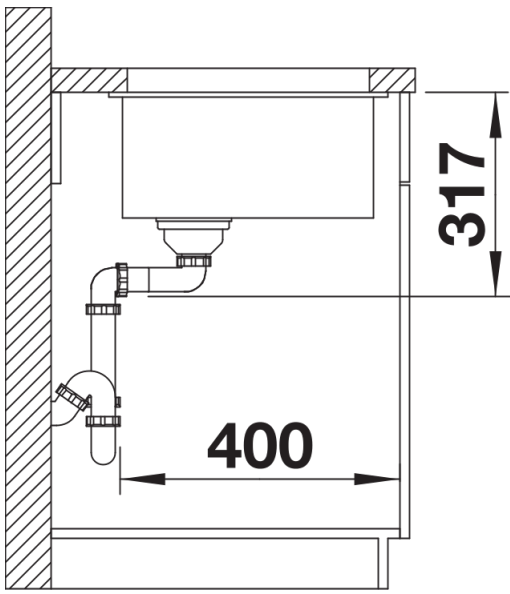
Top view



Cut-out



Front view



Side view