

Product information sheet ETAGON 500-U

Item no. 527075

Benefits



- Ingenious rails for smooth multitasking. Our innovative flagship sink family
- Gain separate working levels with the clever ETAGON rails
- Fill cookware without having to hold or rest pans in a wet sink
- Soak baking trays while still using the top half of the bowl
- Elegant InFino strainer for swift water drainage and sink drying
- Pair with a BLANCO Unit drink system to effortlessly fill pots and glasses using the ETAGON rails

Colours



Available colours:

- black
- anthracite
- rock grey
- volcano grey
- white
- soft white
- tartufo
- coffee

SILGRANIT soft white

Planning information

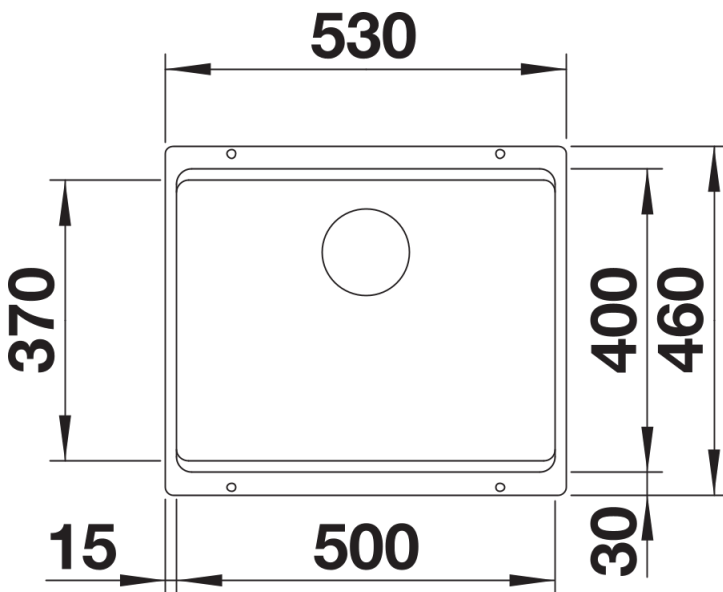
- Cut out size: 500 x 400 x R20, Universal handing

Scope of supply

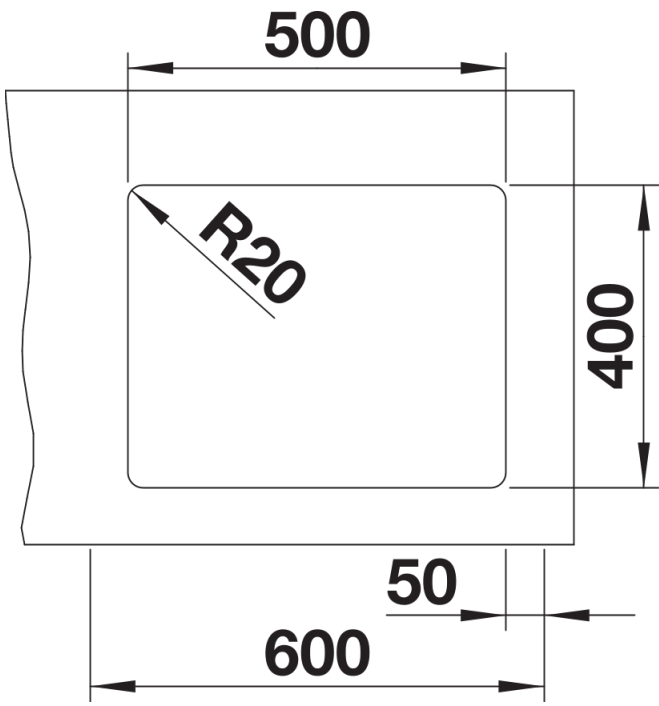
- With ETAGON rails in stainless steel
- waste fitting with space-saving pipe
- 3 ½" InFino basket strainer

234164 - 2 x ETAGON rails

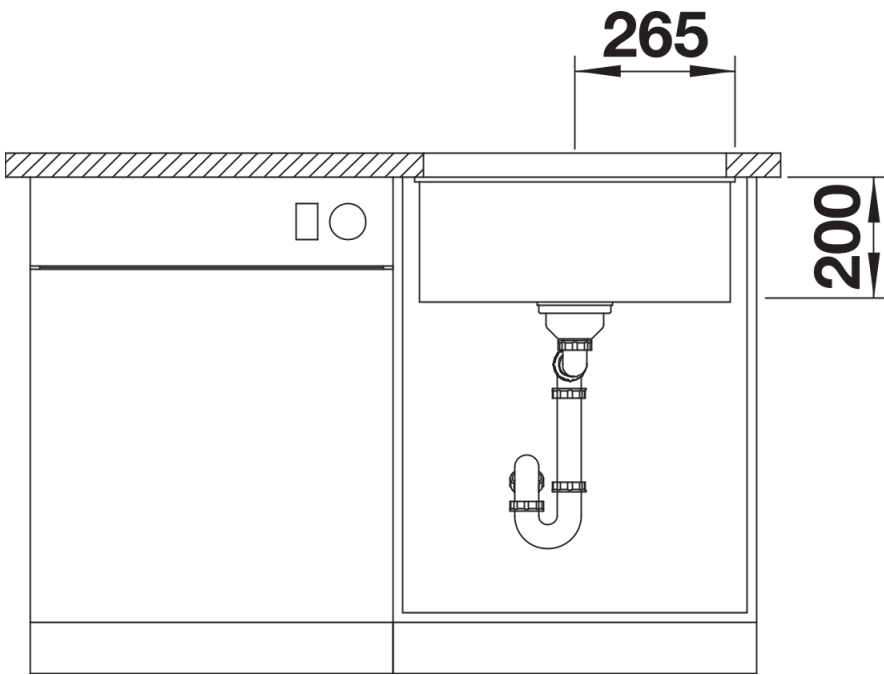
Details



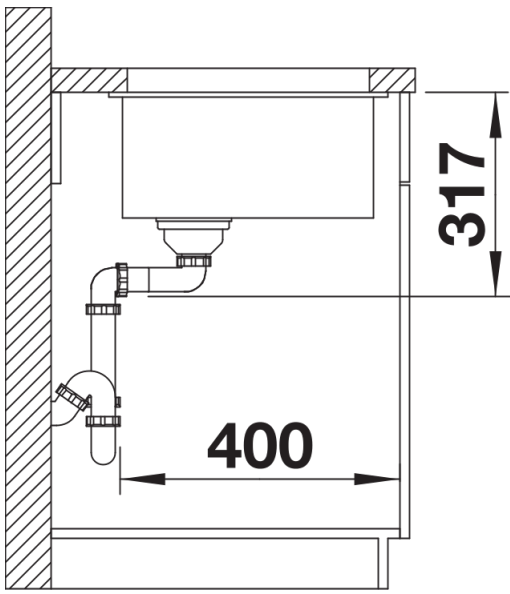
Top view



Cut-out



Front view



Side view