

Product information sheet LANTOS 5 S-IF

Item no. 450841

Benefits



- Wide sink family range with clear shapes
- Elegant IF flat-rim for insert installation from above
- User-friendly thanks to the large drainer area
- Can be installed reversibly
- With 3 ½" stainless steel basket strainer

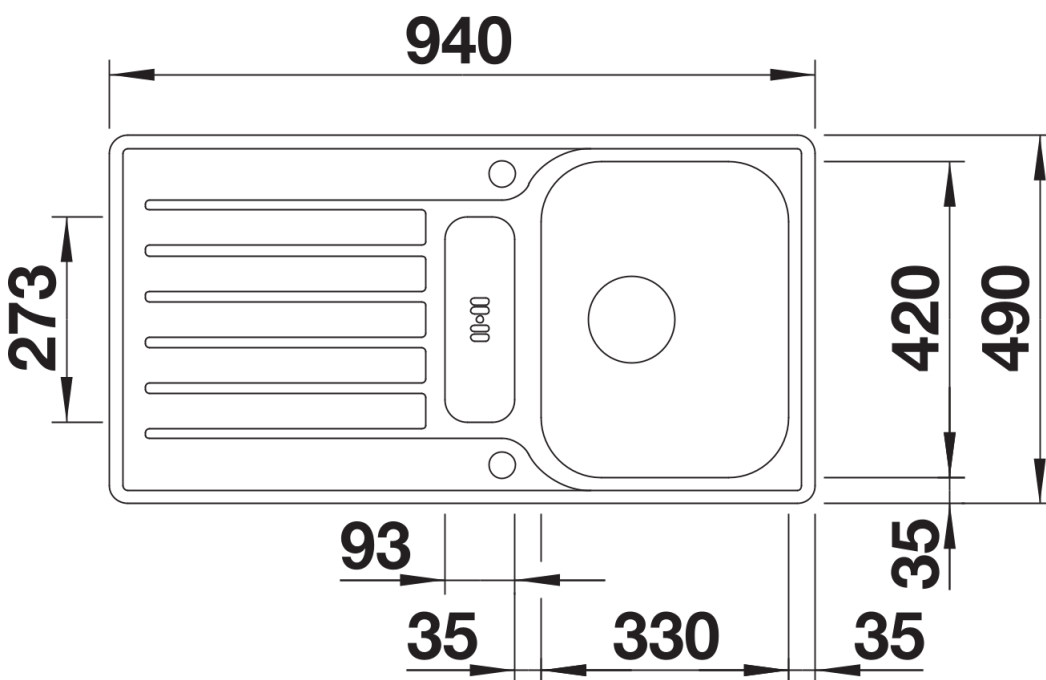
Planning information

- Cut out size: 928 x 478 x R15, Universal handing

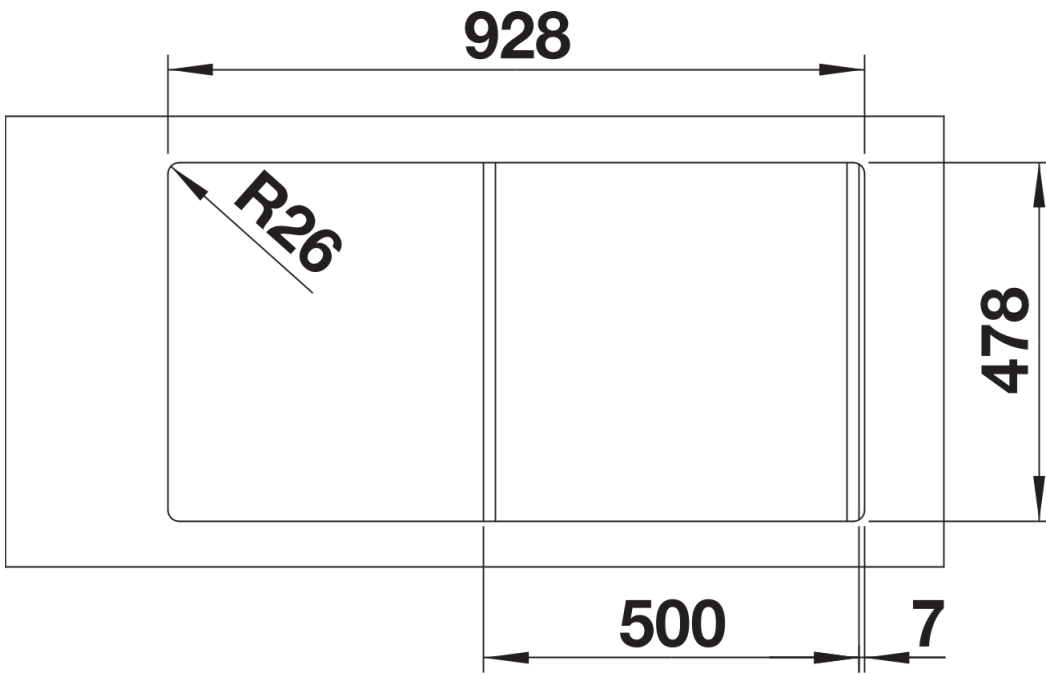
Scope of supply

- Waste fitting
- 3 ½" basket strainer

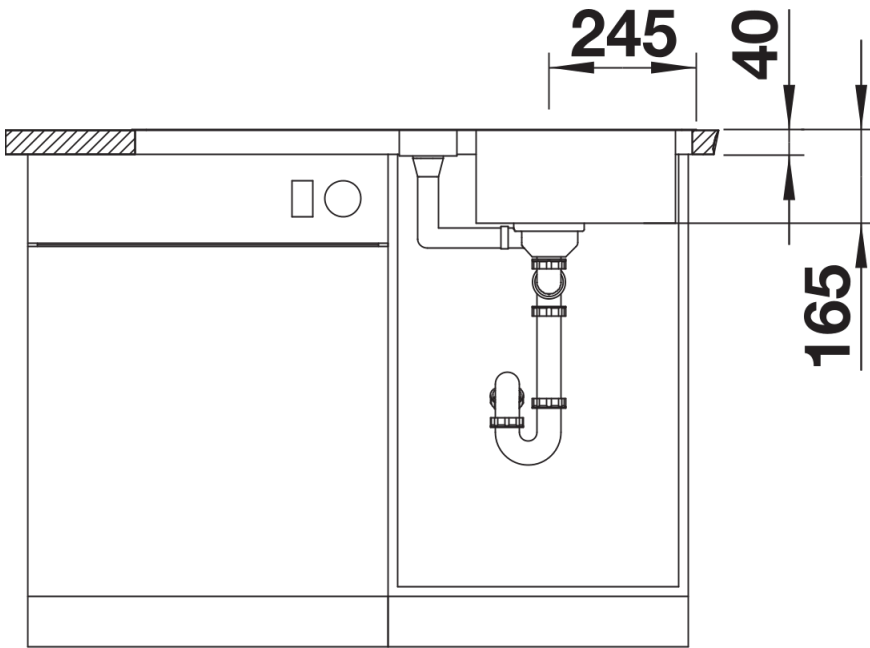
Details



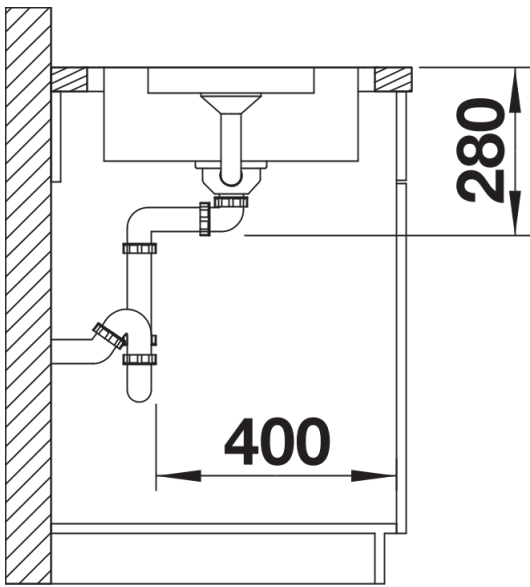
Top view



Cut-out



Front view



Side view