

Product information sheet LEGRA 45 S

Item no. 522201

Benefits



- Classic lines combined with modern functionality
- Spacious main bowl
- Large, practical drainer
- Can be installed reversibly

Colours



Available colours:

- black
- anthracite
- volcano grey
- white
- soft white

SILGRANIT anthracite

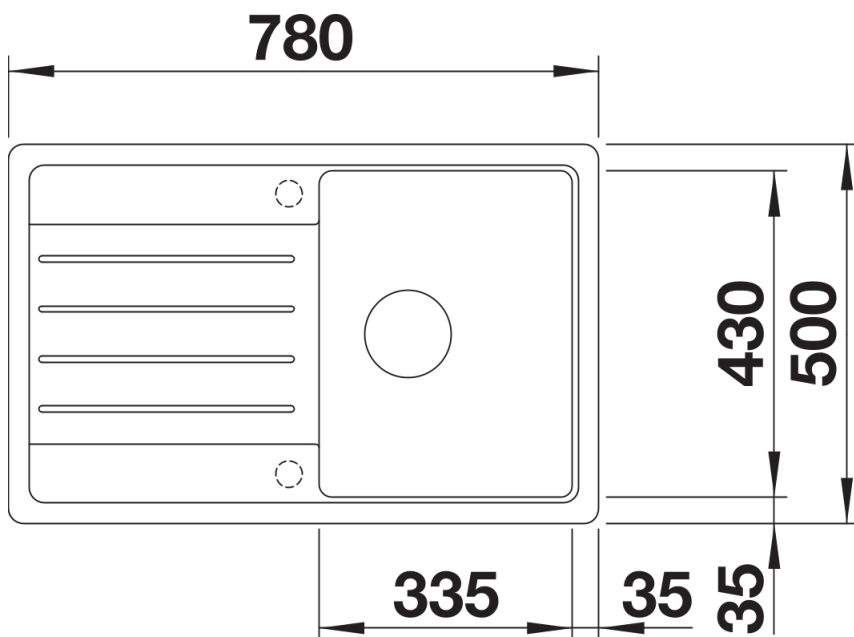
Planning information

- Cut out size: 760 x 480 x R15
- Universal handing

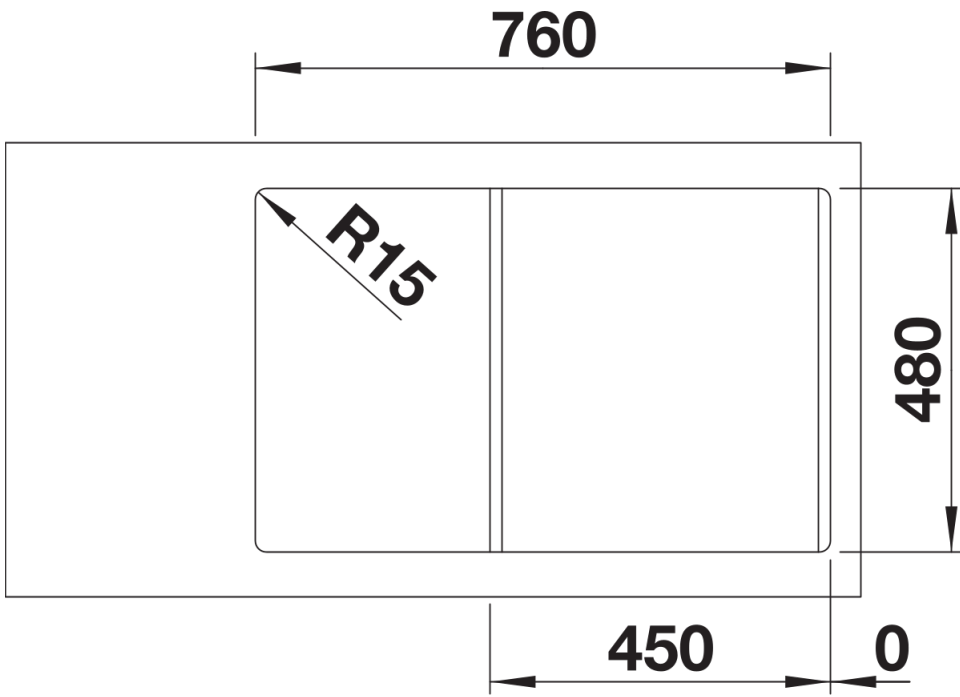
Scope of supply

- Waste fitting with space-saving pipe
- 3 ½" basket strainer

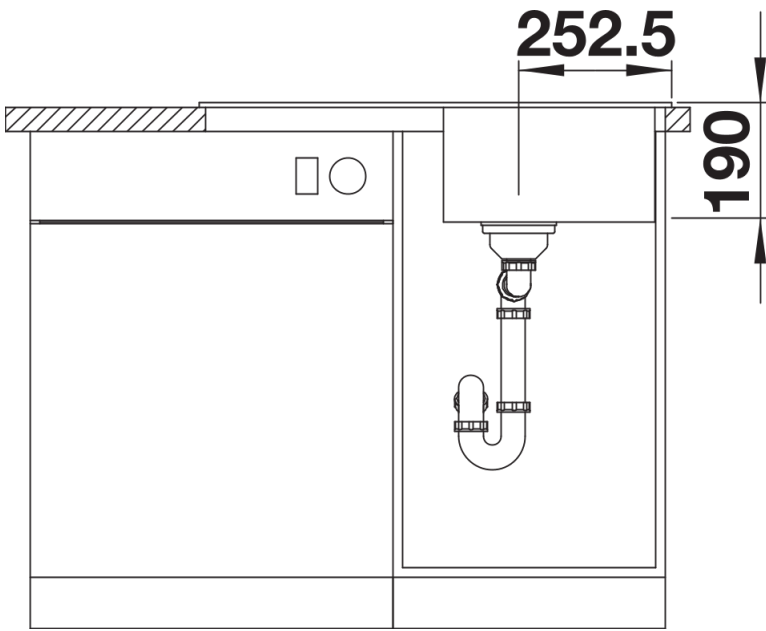
Details



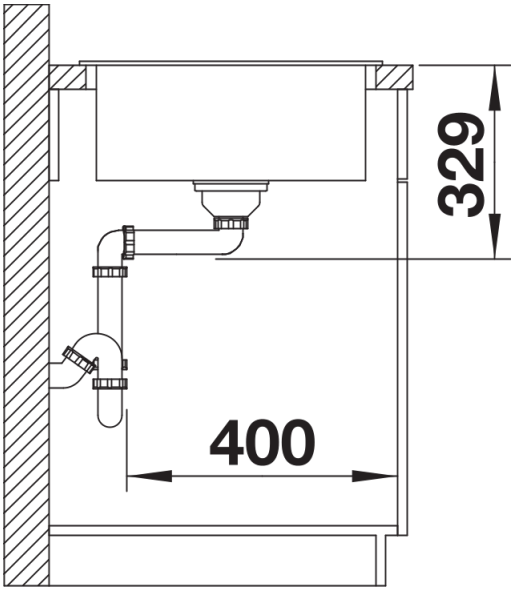
Top view



Cut-out



Front view



Side view