

Product information sheet METRA XL 6 S

Item no. 515286

Benefits



- Modern, simple but striking linear design
- The large capacity of the bowl provides generous room to do the washing up
- Separate drainer provides a high degree of convenience
- Minimal detailing on drainer design beautifully presents the super-tactile Silgranit and your chosen colour on large flat area
- Ergonomic low-profile rim design
- Can be installed reversibly

Colours



SILGRANIT anthracite

Available colours:

- black
- anthracite
- rock grey
- volcano grey
- white
- soft white
- tartufo
- coffee

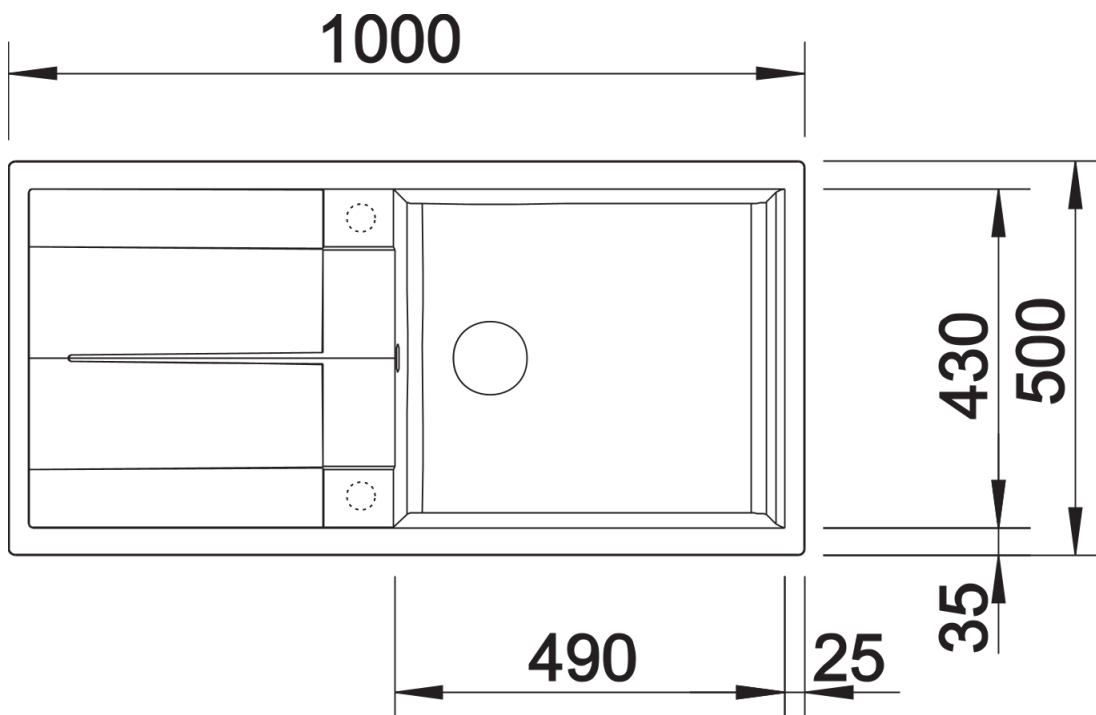
Planning information

- Cut out: 980 x 480 x R15
- Universal handing

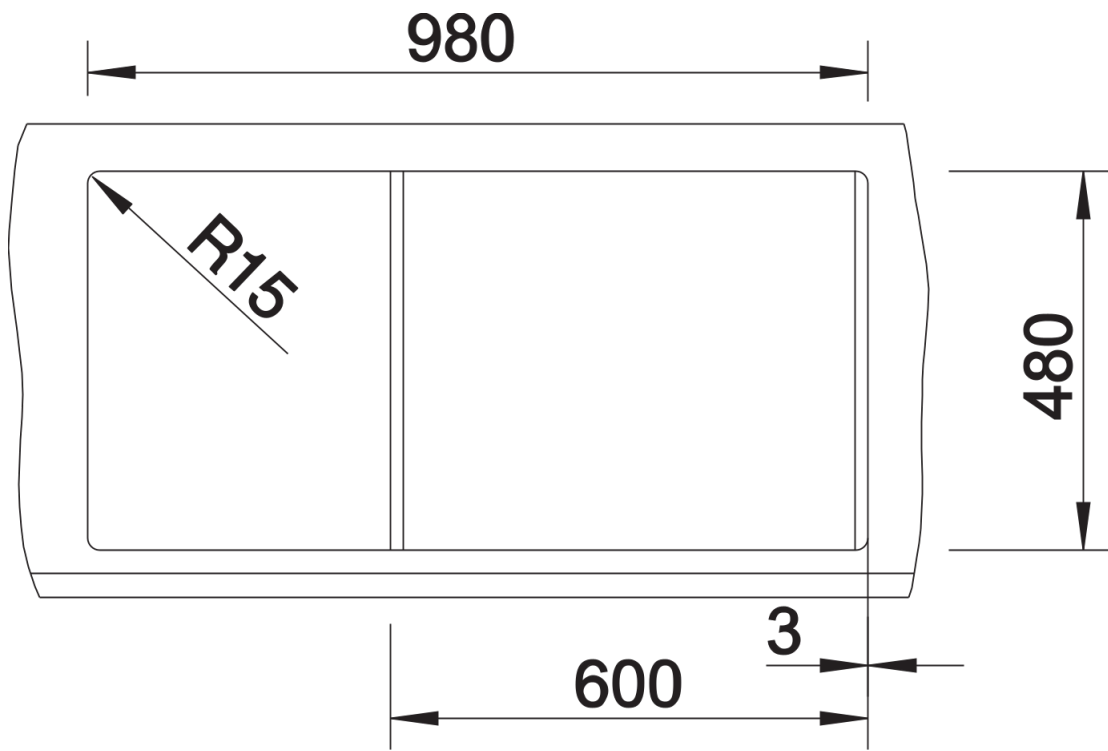
Scope of supply

- Waste fitting with space-saving pipe
- 3 ½" basket strainer plus remote control pop-up waste

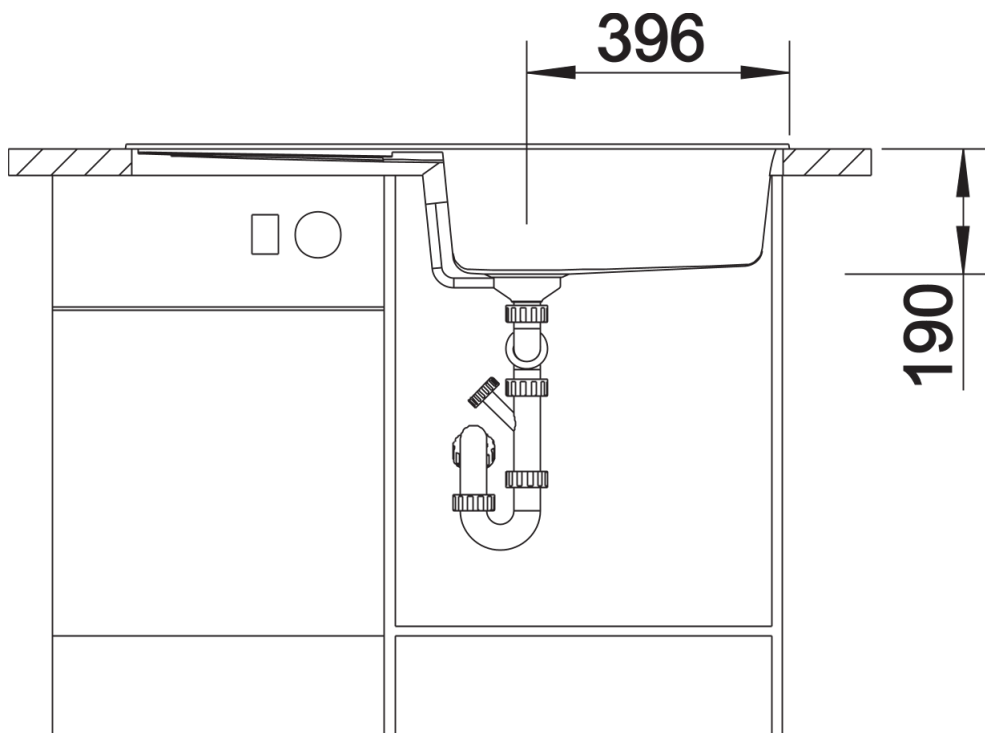
Details



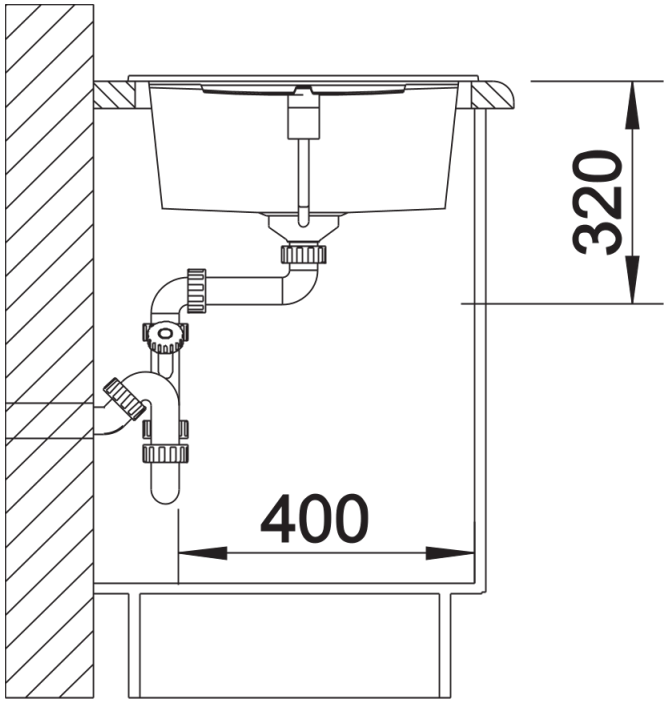
Top view



Cut-out



Front view



Side view