

Product information sheet NAYA XL 9

Item no. 521816

Benefits



- Generous bowl size
- Soft internal corners in the bowl for easy cleaning
- Mindful shape that integrates nicely within the kitchen design
- Continuous ledge frames protects the worktop from water splashes
- Very resistant for daily family use thanks to the qualities of the Silgranit material.

Colours



Available colours:

- black
- anthracite
- rock grey
- volcano grey
- white
- soft white
- tartufo
- coffee

SILGRANIT white

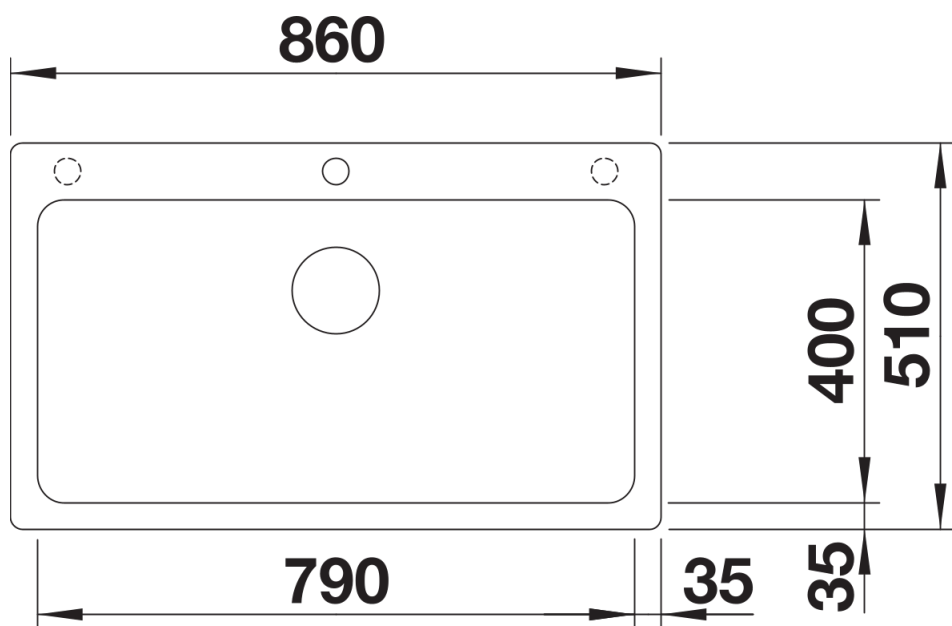
Planning information

- Cut out size: 840 x 490 x R15

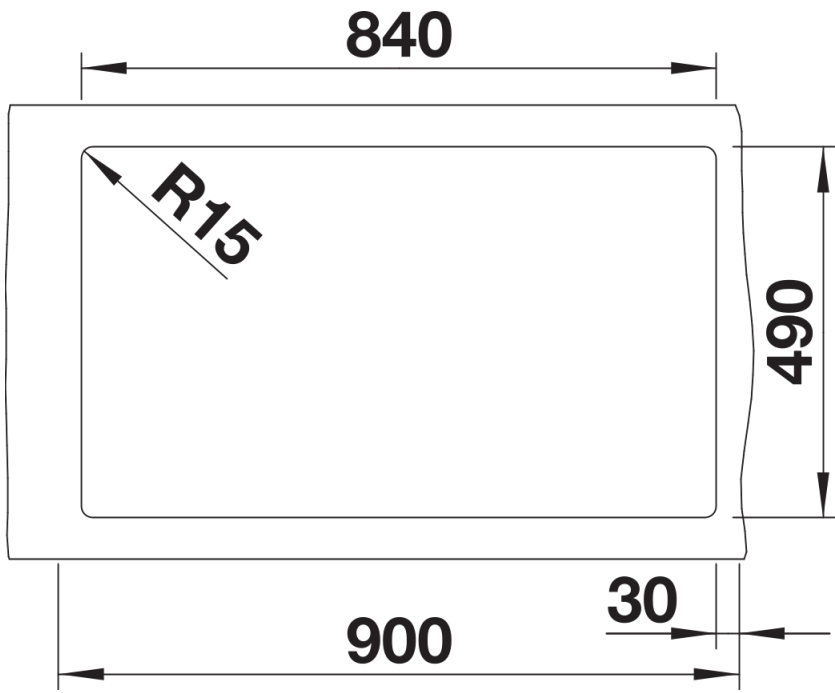
Scope of supply

- Waste fitting with space-saving pipe
- 3 ½" basket strainer

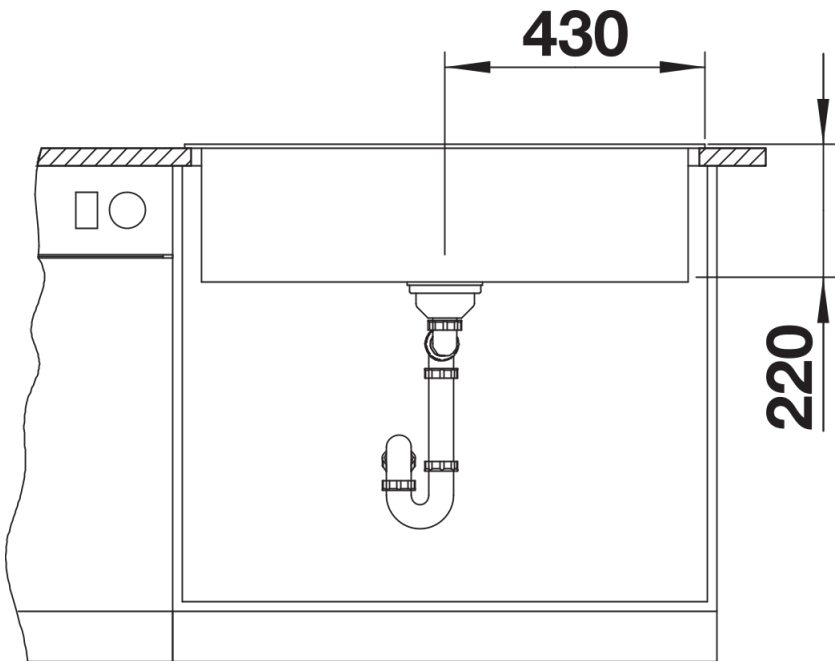
Details



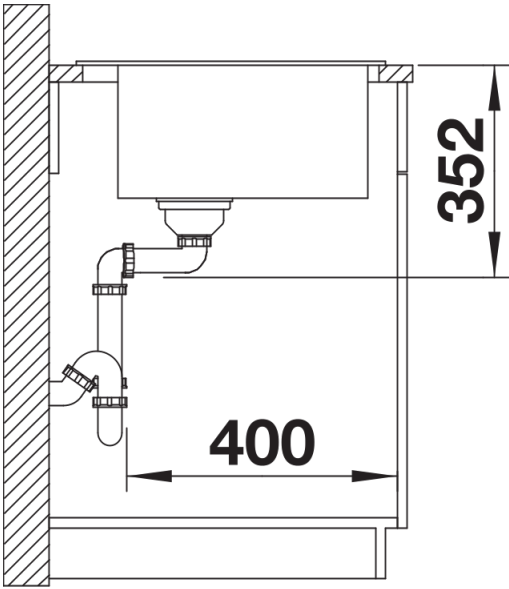
Top view



Cut-out



Front view



Side view