

## Product information sheet SONA 6 S

Item no. 519859

### Benefits

---



- Striking grooved tap ledge and drainer area with curved bowl design
- Spacious main bowl and large additional bowl handle the deepest pots and pans
- Generous tap ledge to reduce water splashes on the worktop
- Rounded internal corners for easy cleaning
- Stainless steel basket strainer keeps the drain free from food debris and blockages
- Reversible installation

### Colours

---



SILGRANIT coffee

Available colours:

- black
- anthracite
- rock grey
- volcano grey
- white
- soft white
- tartufo
- coffee

## Planning information

---

- Cut out: 980 x 480 x R15
- Universal handing

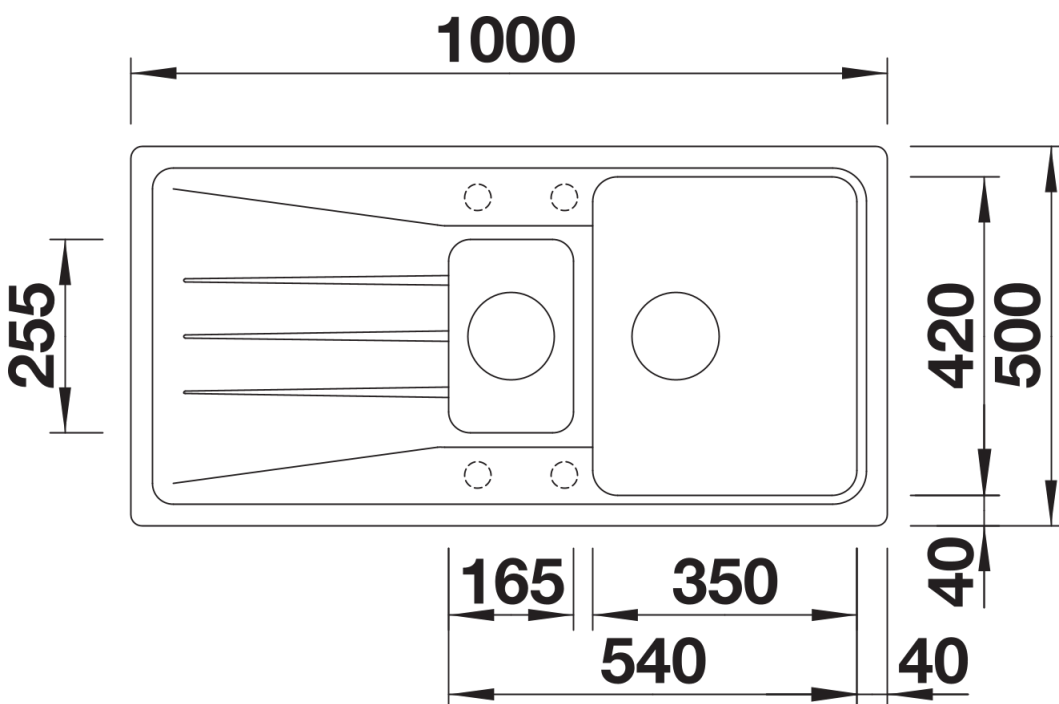
## Scope of supply

---

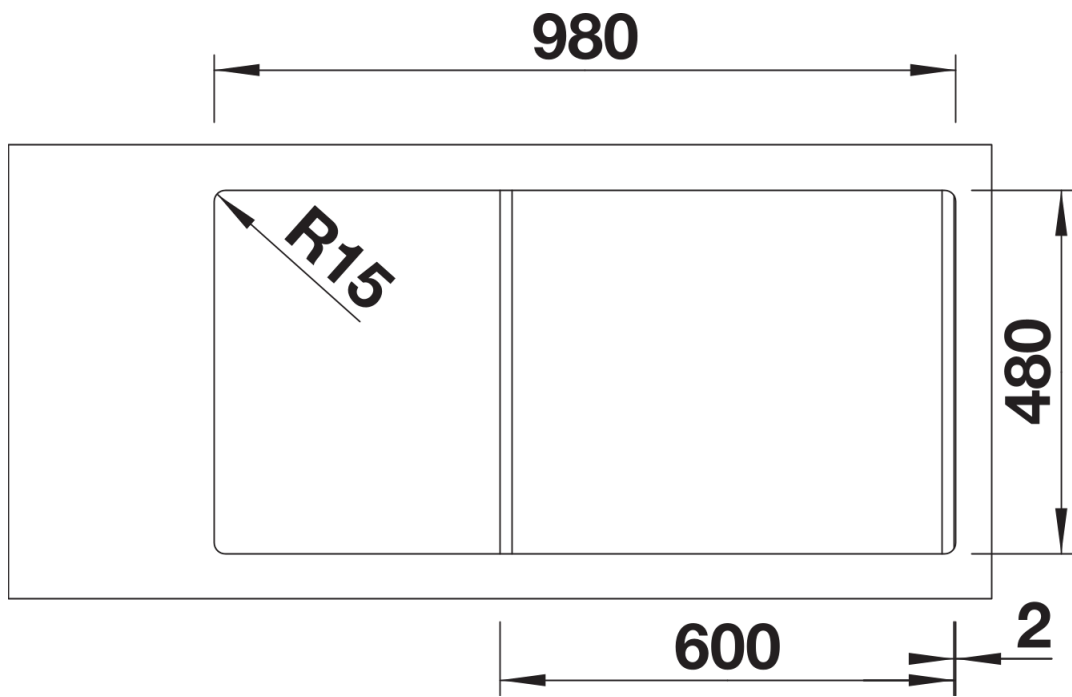
Waste fitting with space-saving pipe, two 3½" basket strainers, ½ bowl non close basket strainer

## Details

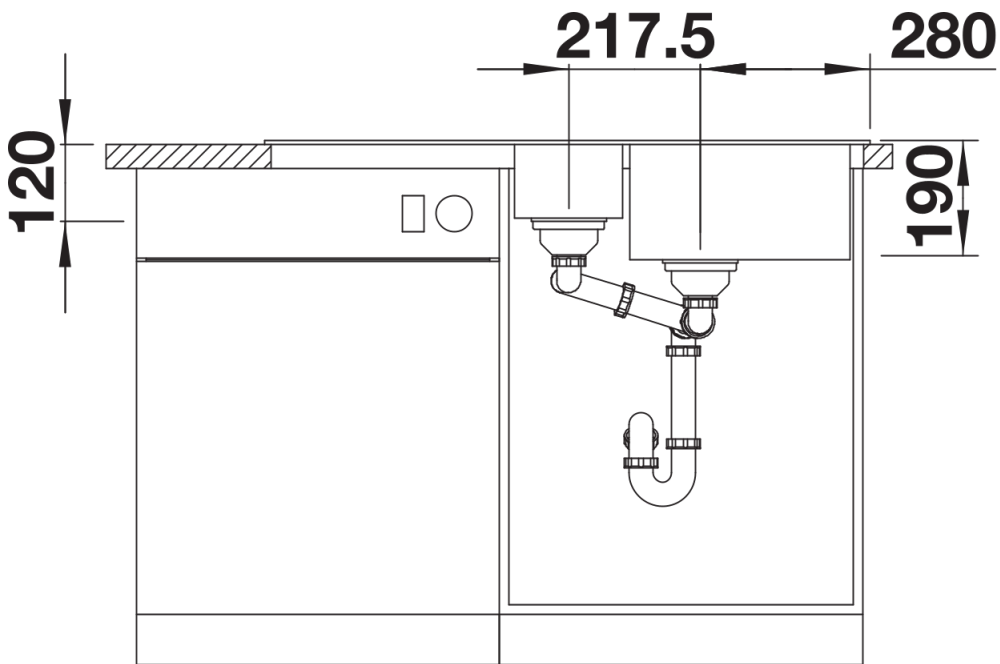
---



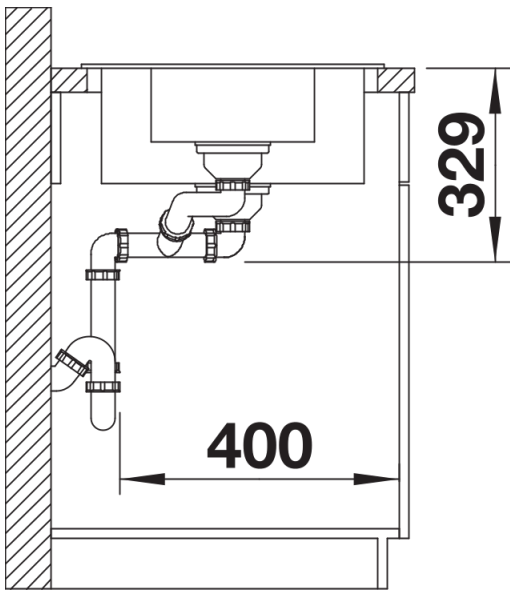
Top view



Cut-out



Front view



Side view