

## Product information sheet SONA XL 6 S

Item no. 519689

### Benefits

---



- Striking grooved tap ledge and drainer area with curved bowl design
- Large main bowl and spacious draining area provide a high degree of usability
- Generous tap ledge
- Stainless steel basket strainer keeps the drain free from food debris and blockages
- Reversible installation: position the bowl to the left or right of the drainer, depending on your kitchen layout

### Colours

---



SILGRANIT anthracite

#### Available colours:

- black
- anthracite
- rock grey
- volcano grey
- white
- soft white
- tartufo
- coffee

## Planning information

---

- Cut out: 980 x 480 x R15
- Universal handing

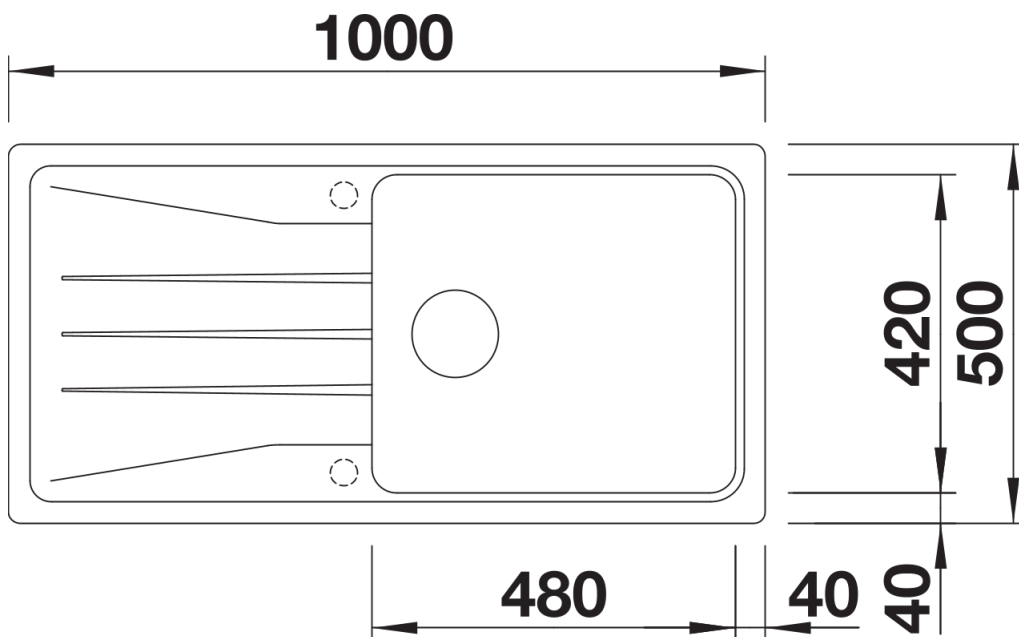
## Scope of supply

---

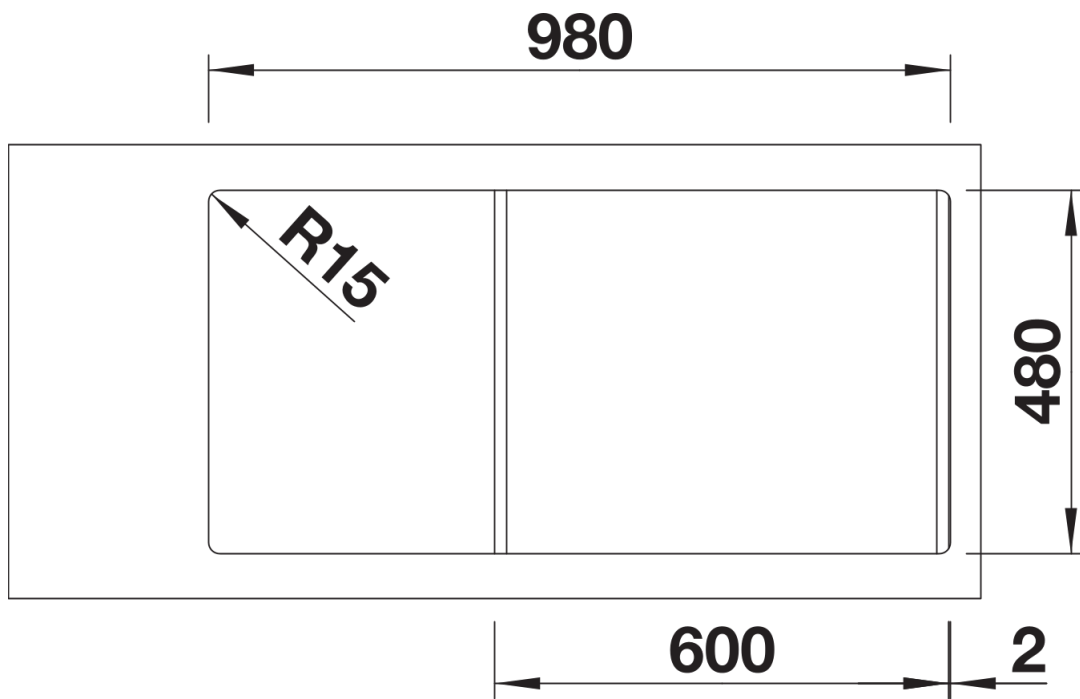
- Waste fitting with space-saving pipe
- 3 ½" basket strainer

## Details

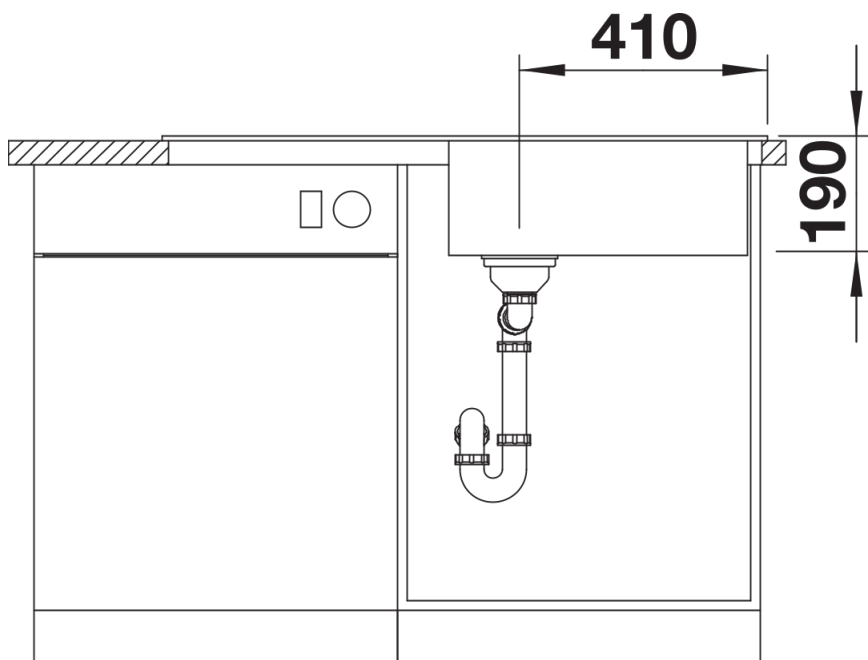
---



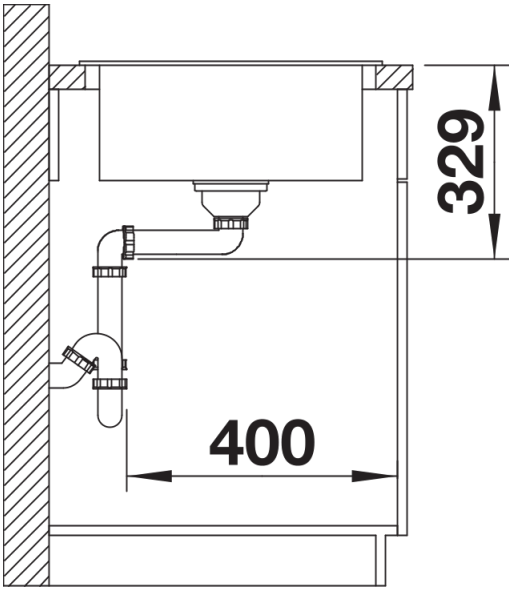
Top view



Cut-out



Front view



Side view