

## Product information sheet ZEROX 550-U

Item no. 521591

### Benefits

---



- Zero radius bowls with the striking rectangular bowl geometry
- Wide product range enables a plethora of bespoke combinations
- InFino drain system – elegantly integrated and easy-care
- Easy to combine, matching accessory solutions

## Planning information

---

- Cut out information supplied with bowls.
- Cut out CNC files also available on [www.blanco.co.uk](http://www.blanco.co.uk) for download.

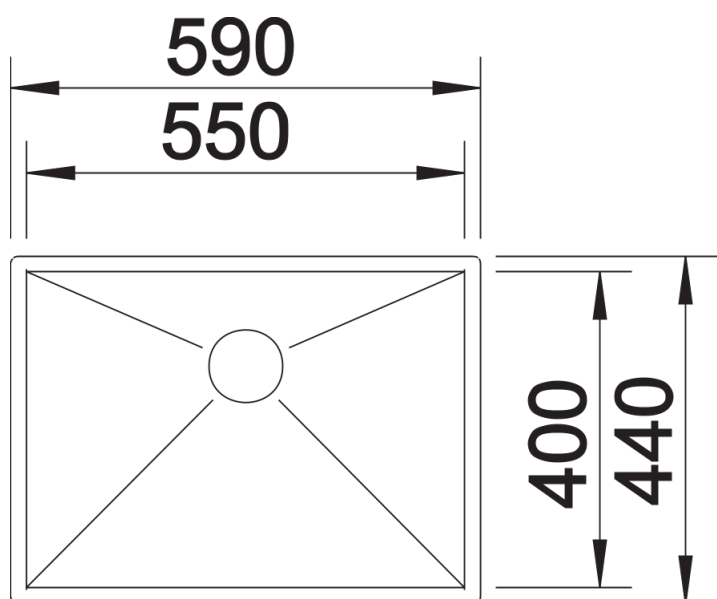
## Scope of supply

---

- Undermount bowl with 3 ½" InFino basket strainer waste
- overflow and waste
- fixing kit included

## Details

---



Top view