

Product information sheet ZIA 45 S

Item no. 514732

Benefits



- Modern design with clear lines
- Straight lined outer contour emphasised by the narrow rim
- Characteristic tap ledge as a frame that enlarges the drainer
- Spacious bowl for comfortable working
- Can be installed reversibly

Colours



Available colours:

- black
- anthracite
- volcano grey
- white
- soft white

SILGRANIT anthracite

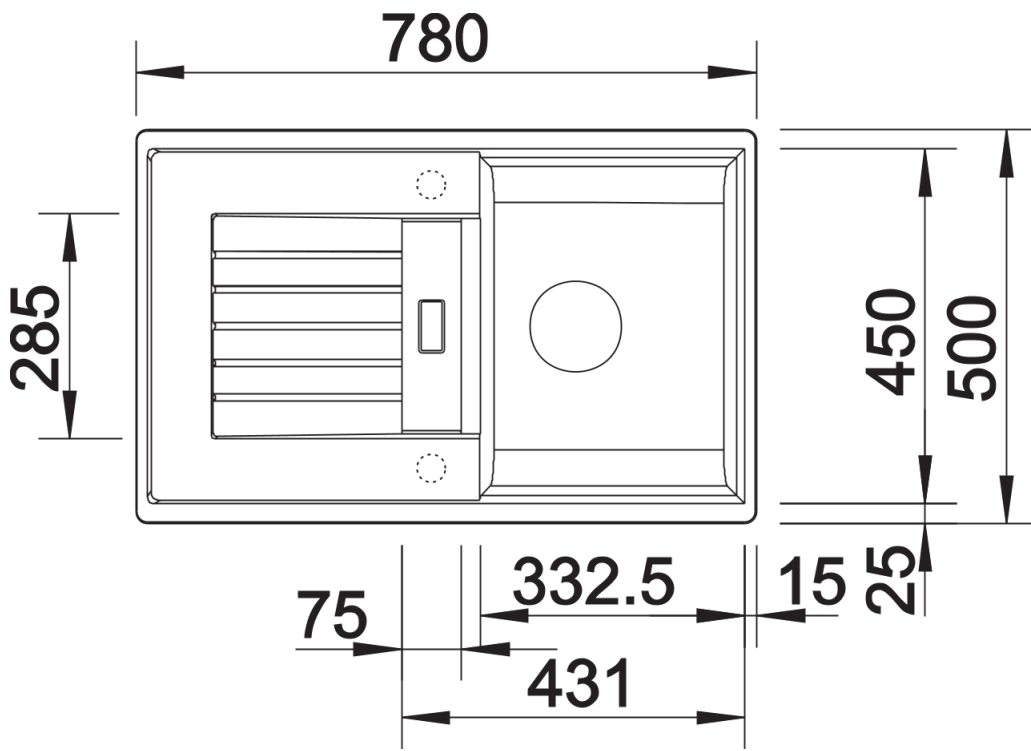
Planning information

- Cut out size: 760 x 480 x R15, Universal handing

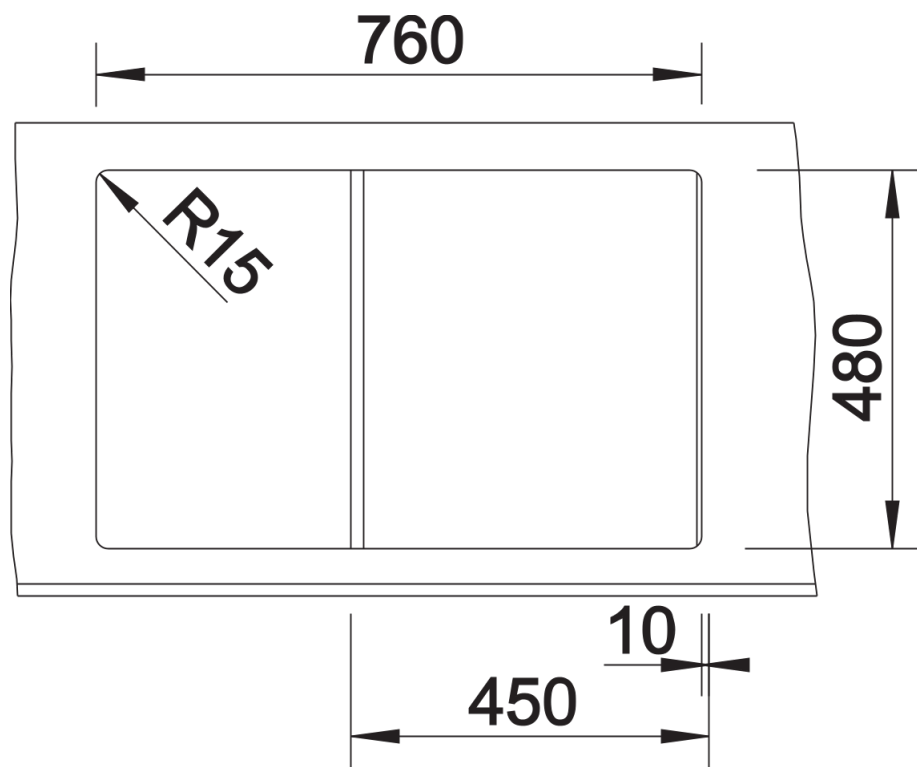
Scope of supply

- Waste fitting with space-saving pipe
- 3 ½" basket strainer
- German warehouse stock
- please allow 10 working days

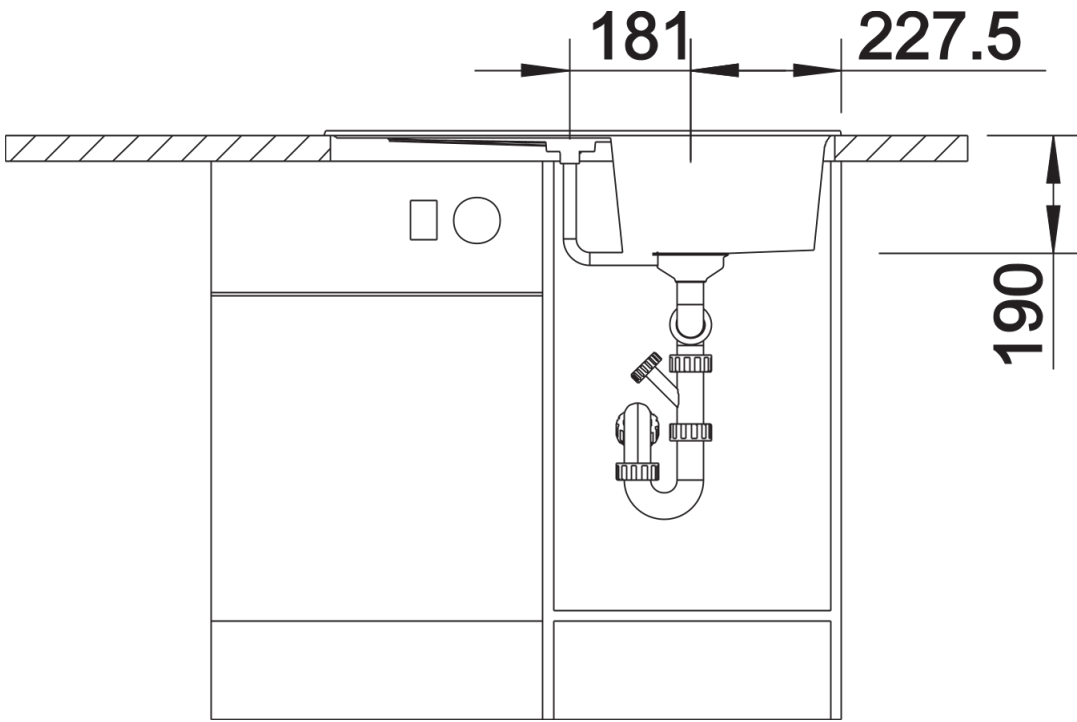
Details



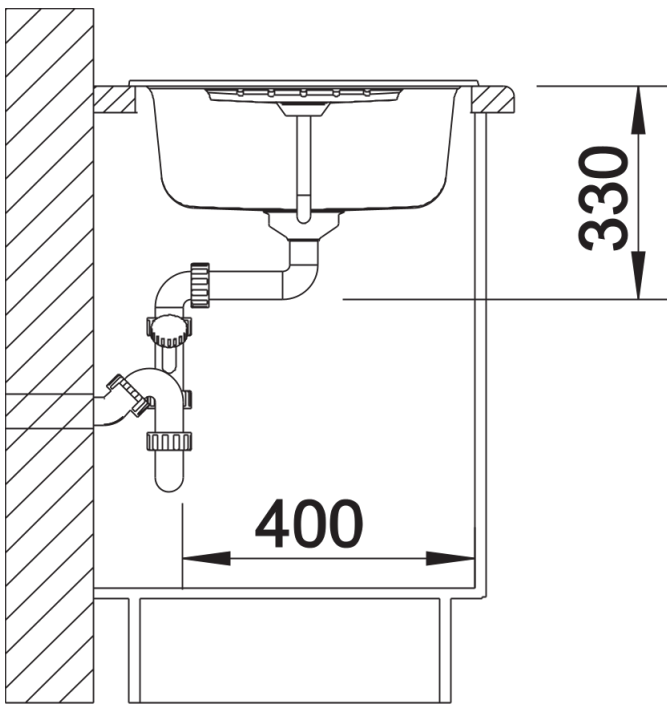
Top view



Cut-out



Front view



Side view