

Product information sheet ZIA 9 E

Item no. 527212

Benefits



- Modern design with clear lines
- Symmetrical setup with balanced proportions
- Very spacious, centred bowl with small corner radiuses
- Compact drainer and recessed draining area
- Suitable for both corner and in-line designs

Colours



Available colours:

- black
- anthracite
- volcano grey
- white
- soft white

SILGRANIT soft white

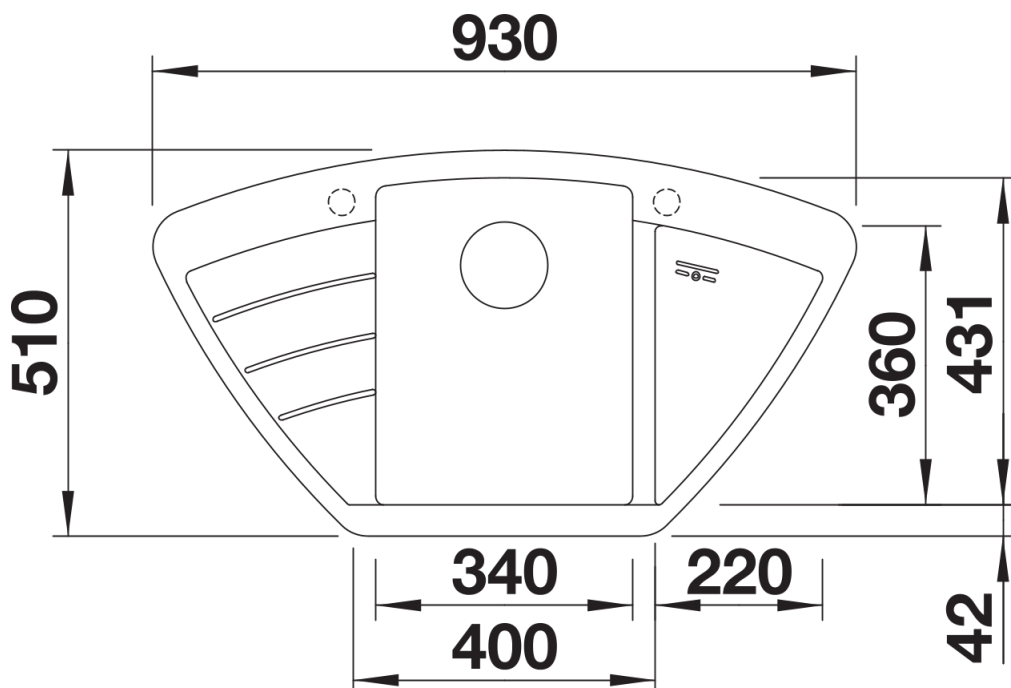
Planning information

- Cut out: Template provided with sink

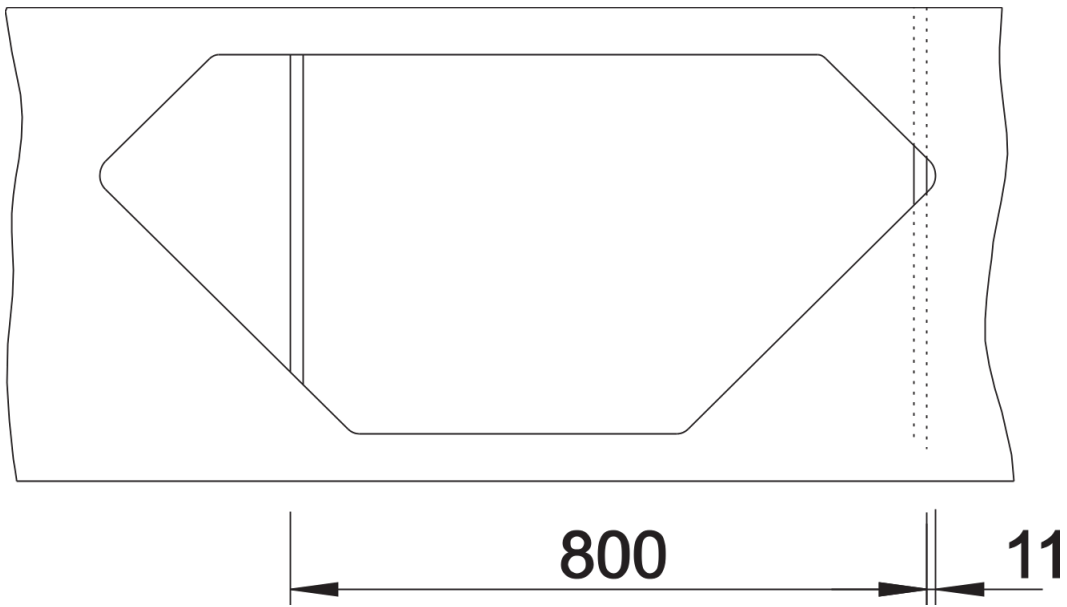
Scope of supply

- Waste fitting with space-saving pipe
- 3 ½" basket strainer
- template provided with sink

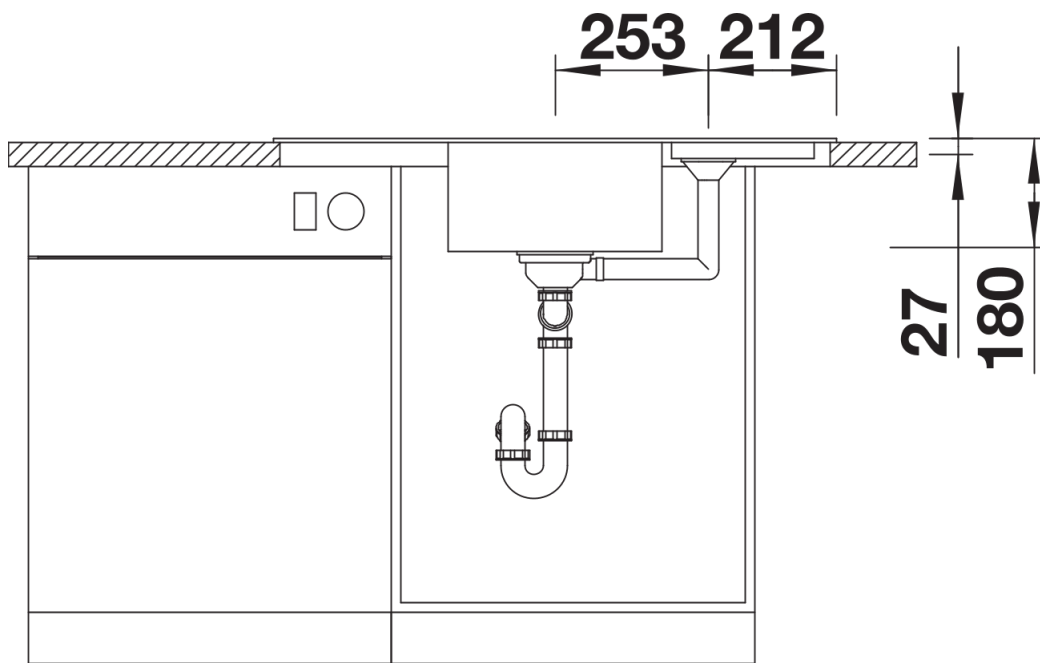
Details



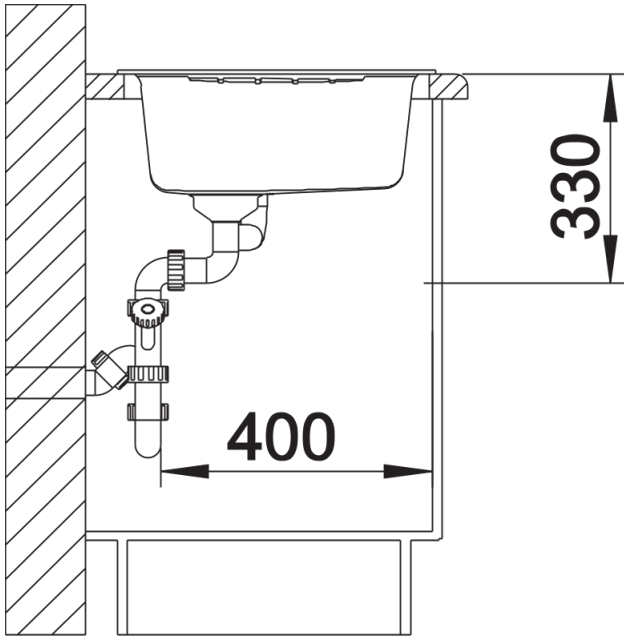
Top view



Cut-out



Front view



Side view