

Product information sheet SUBLINE 350/350-U

Item no. 523581

Benefits



- Our versatile SUBLINE kitchen sink range almost wholly vanishes into the undermount, fitting harmoniously into the worktop: a must for minimalist kitchens
- Straight-lined design: timelessly elegant
- Two bowls: soak baking trays in one bowl and leave the other for separate tasks
- Elegant InFino strainer for swift water drainage, less splashing and superfast sink drying

Colours



Available colours:

- black
- anthracite
- rock grey
- volcano grey
- white
- soft white
- tartufo
- coffee

SILGRANIT tartufo

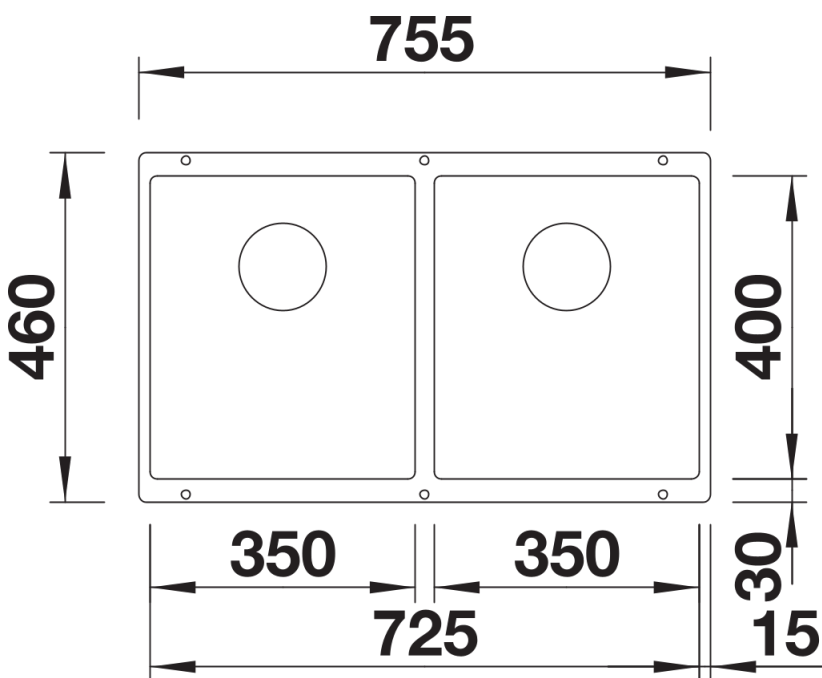
Planning information

- Cut out size: 725 x 400 x R10

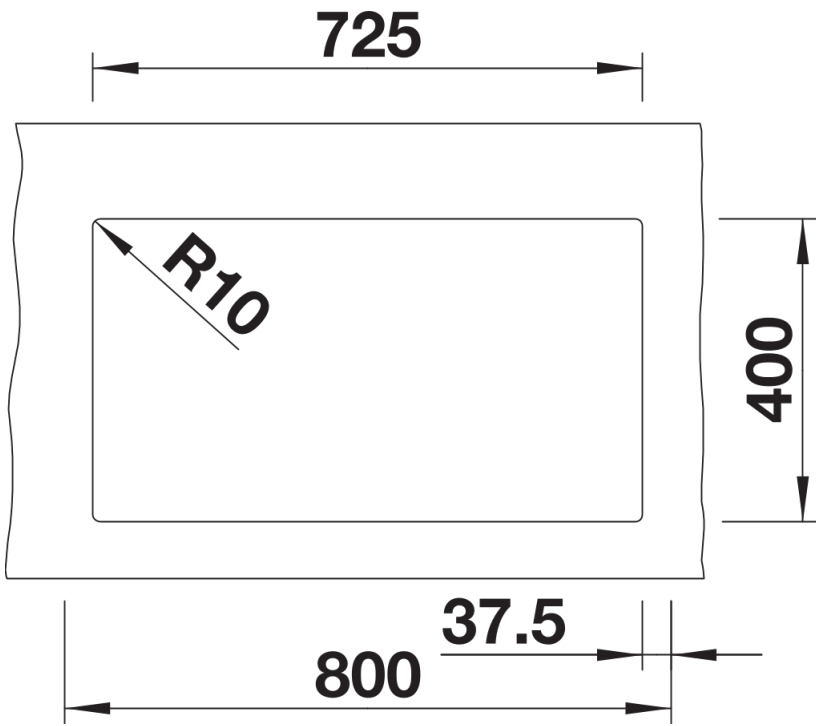
Scope of supply

- Waste fitting with space-saving pipe
- two 3 ½" InFino basket strainer

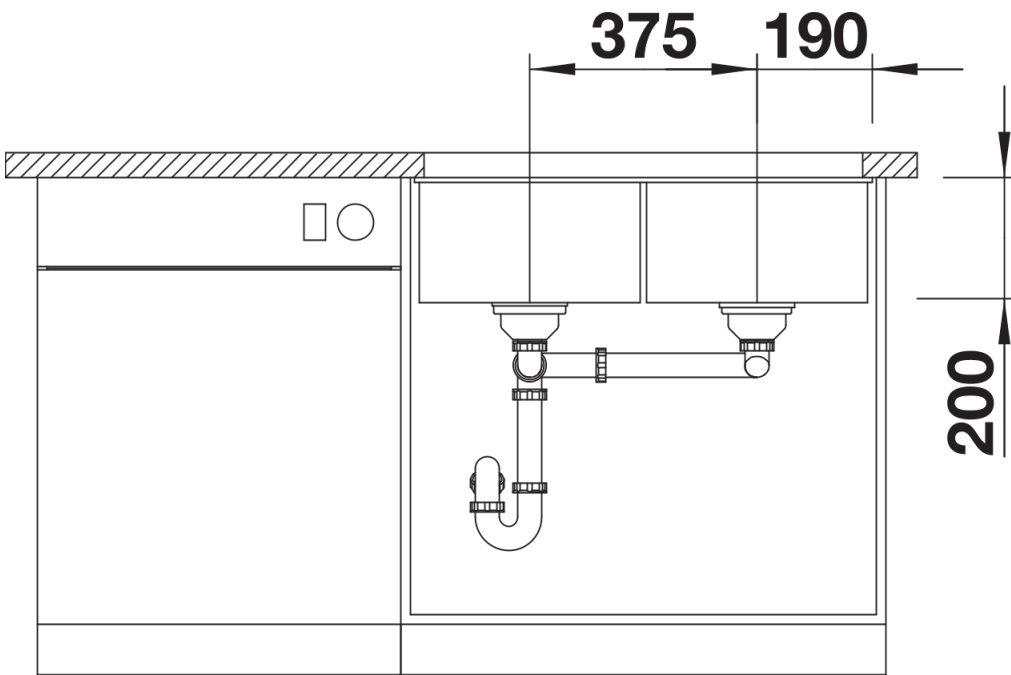
Details



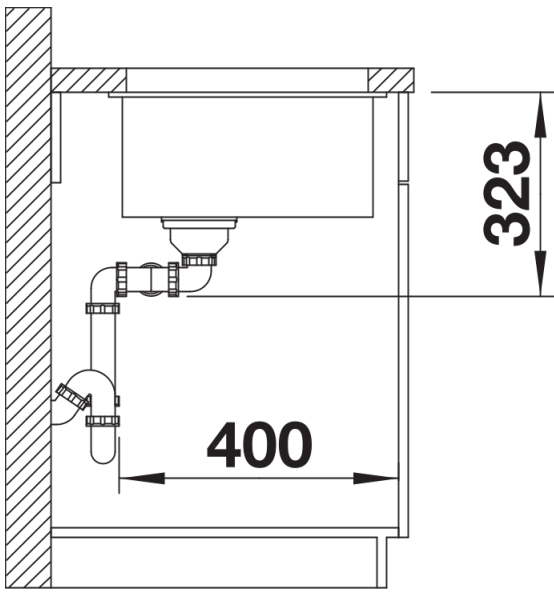
Top view



Cut-out



Front view



Side view