

Product information sheet SUBLINE 500-IF SteelFrame

Item no. 524107

Benefits



- Beautiful material mix of stainless steel and SILGRANIT
- Timelessly elegant, straight-lined bowl shape with IF flat rim
- For inset installation from above
- High-quality features with covered C-overflow and InFino drain system – elegantly integrated and easy-care
- Optional versatile accessories are available

Colours



Available colours:

- black
- anthracite
- white

SILGRANIT anthracite

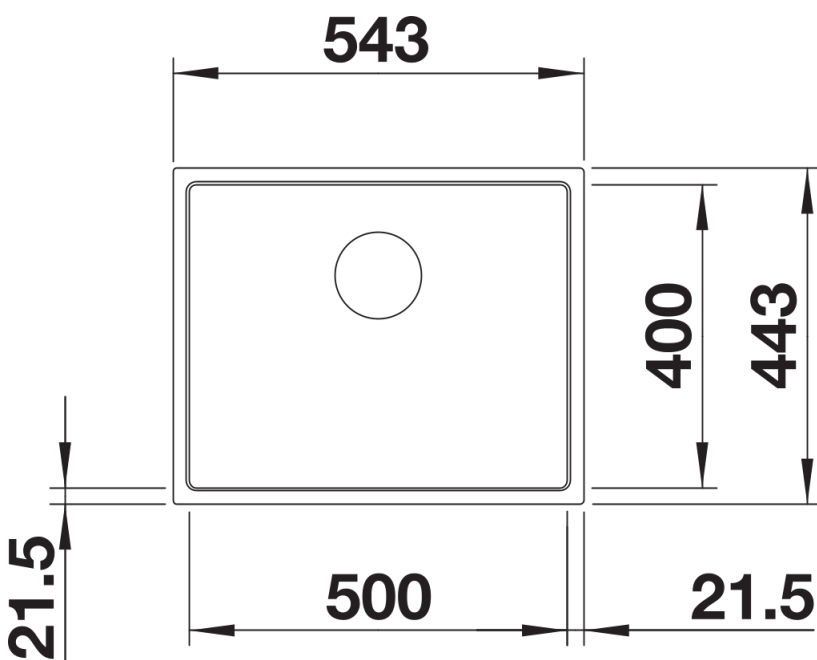
Planning information

- Cut out size: 532 x 432 x R10, Universal handing

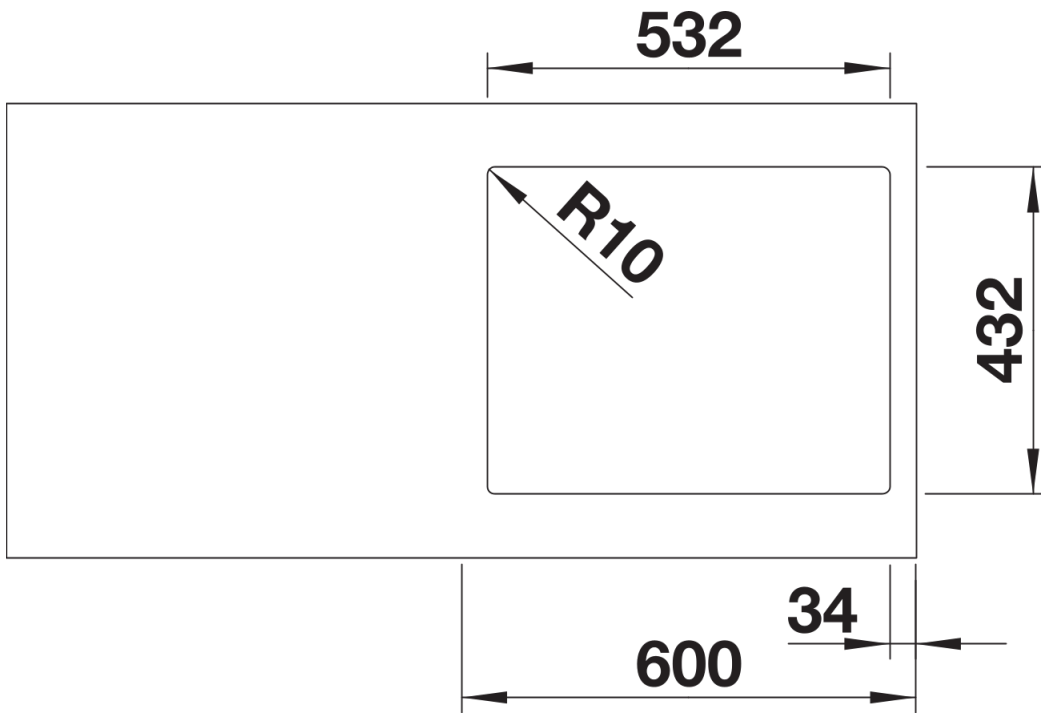
Scope of supply

- Waste fitting with space-saving pipe
- 3 ½" InFino basket strainer

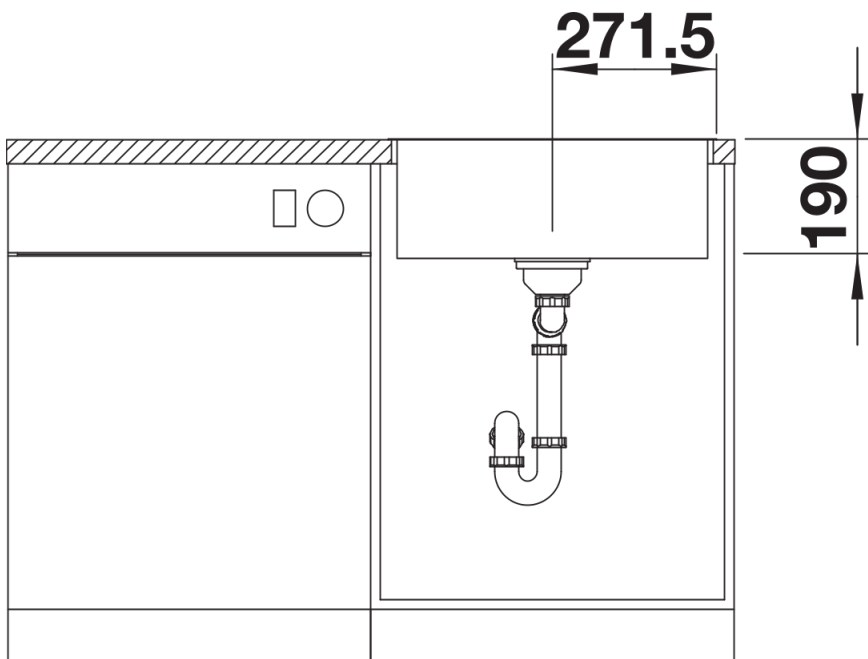
Details



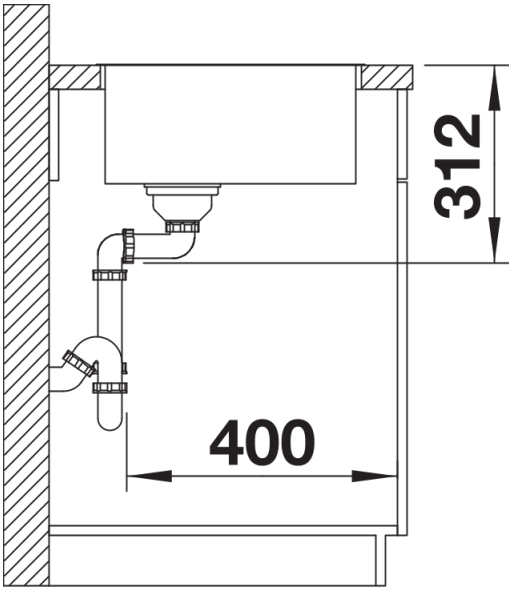
Top view



Cut-out



Front view



Side view