

## Product information sheet SUBLINE 500-IF SteelFrame

Item no. 525997

### Benefits

---



- Our versatile SUBLINE kitchen sink range almost wholly vanishes into the undermount, fitting harmoniously into the worktop: a must for minimalist kitchens
- Straight-lined design: timelessly elegant
- Large bowl for soaking and cleaning baking trays, pots and pans
- Elegant InFino strainer for swift water drainage, less splashing and superfast sink drying
- Elegant flat-rim for flush mount: the sink almost vanishes into the worktop

### Colours

---



Available colours:

- black
- anthracite
- white

SILGRANIT black

## Planning information

---

- Cut out size: 532 x 432 x R10, Universal handing

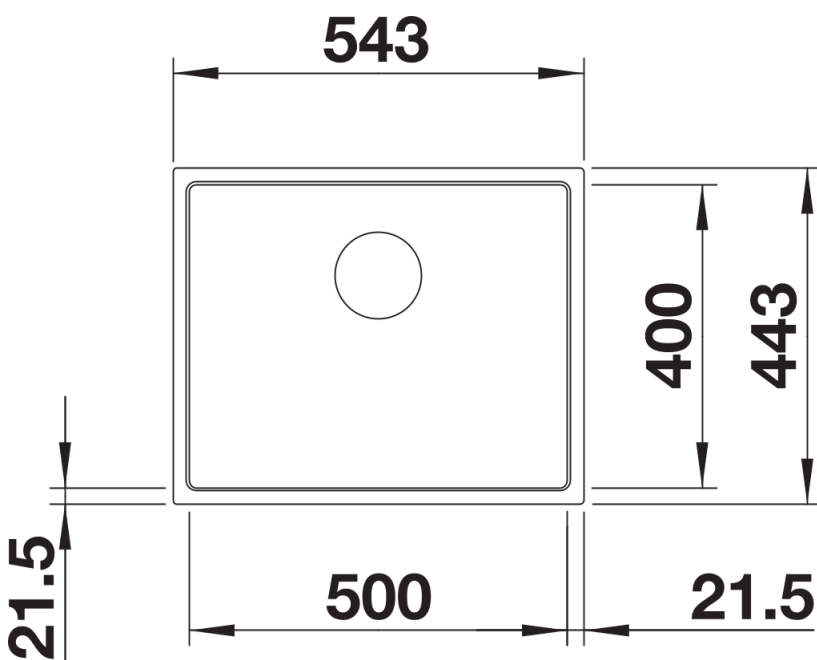
## Scope of supply

---

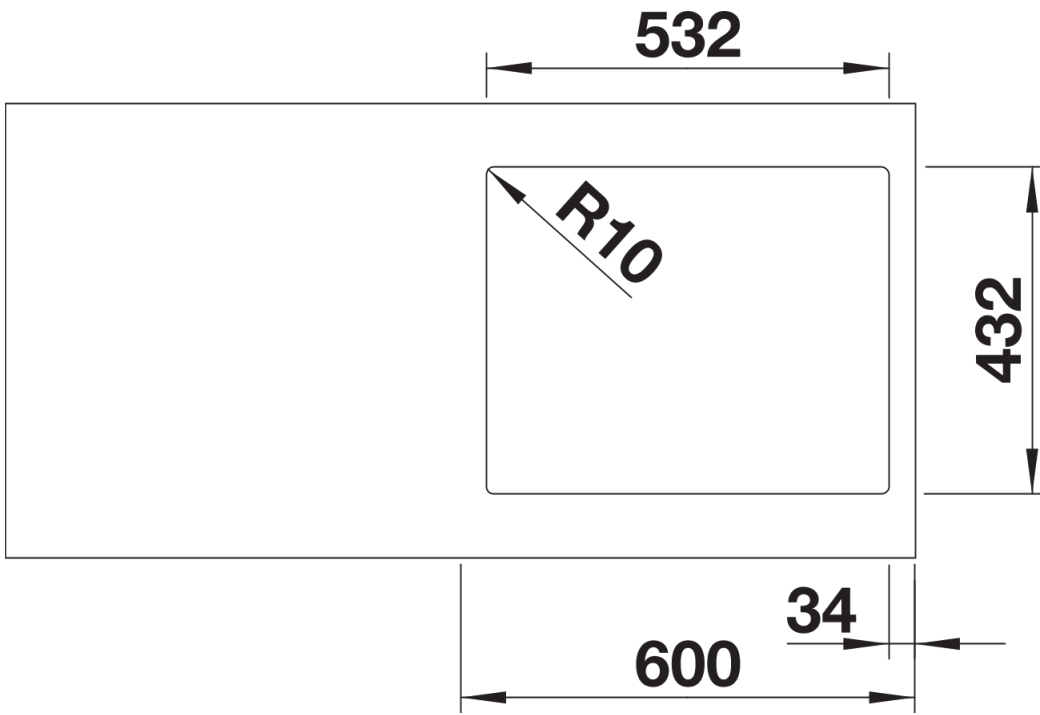
- Waste fitting with space-saving pipe  
- 3 ½" InFino basket strainer

## Details

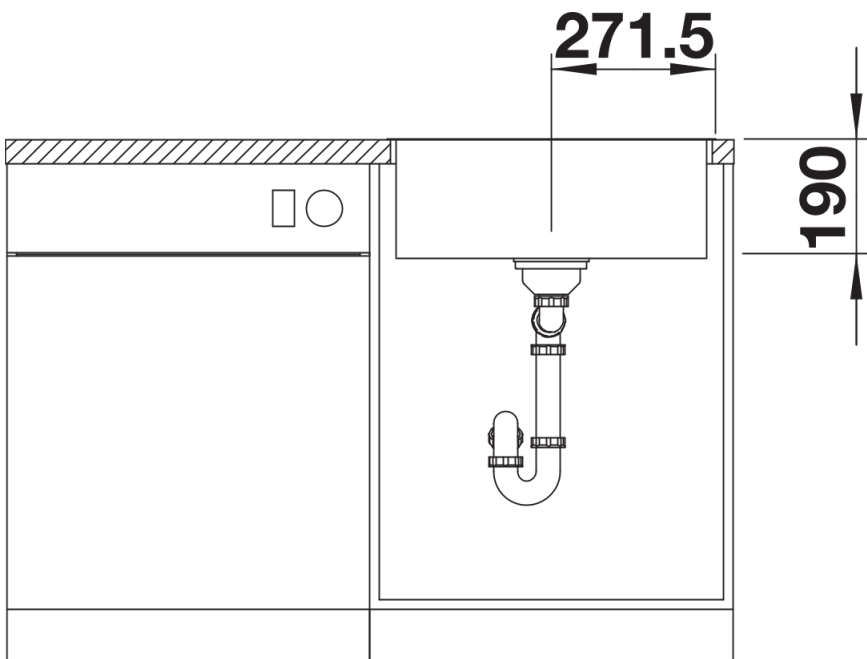
---



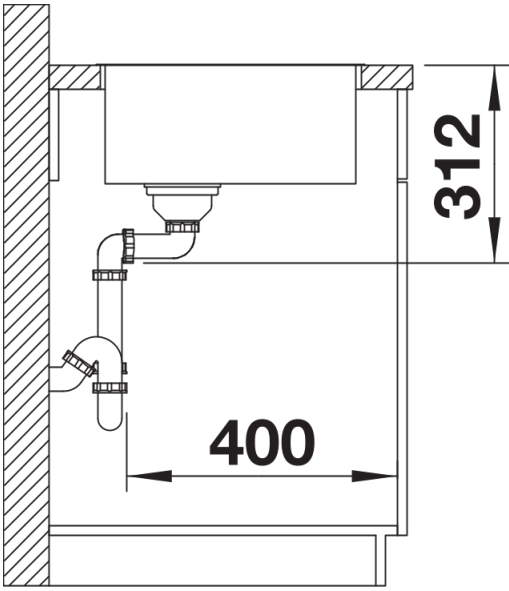
Top view



Cut-out



Front view



Side view