

## Product information sheet SUBLINE 320-U

Item no. 523407

### Benefits

---



- Undermount bowl for discerning demands on design
- Undermount bowl for solid surface worktops
- Timelessly elegant, contoured bowl design
- Entire system for a wide variety of plans featuring large and small bowls
- High-quality features with covered C-overflow and InFino drain system – elegantly integrated and easy-care

### Colours

---



Available colours:

- black
- anthracite
- rock grey
- volcano grey
- white
- soft white
- tartufo
- coffee

SILGRANIT rock grey

## Planning information

---

- Cut out: 320 x 400 x R10
- Note: Please order waste connections for combinations of two individual bowls separately.

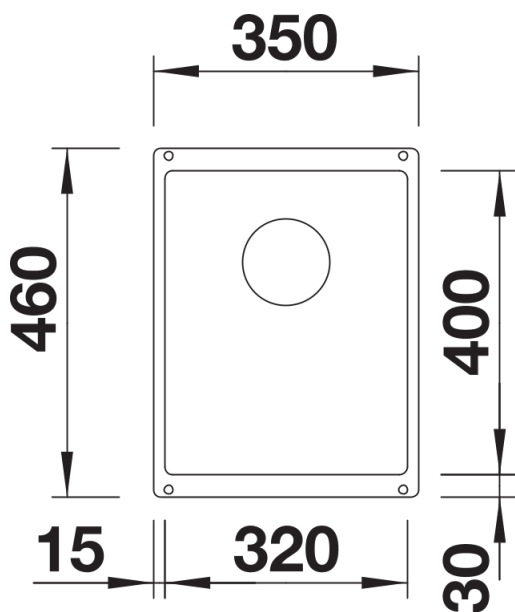
## Scope of supply

---

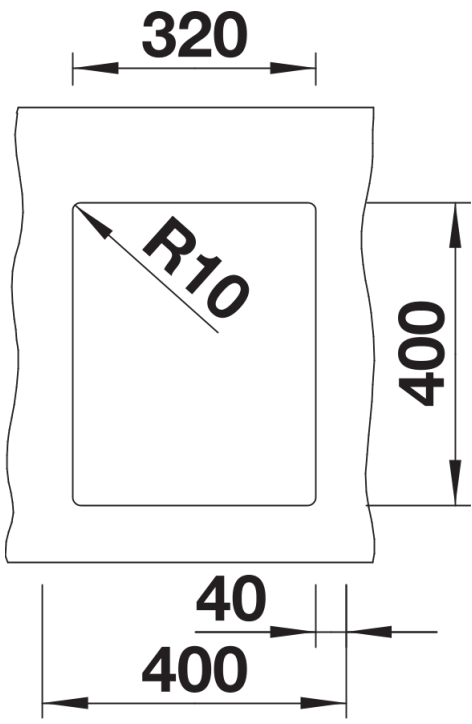
- Waste fitting with space-saving pipe
- 3 ½" InFino basket strainer

## Details

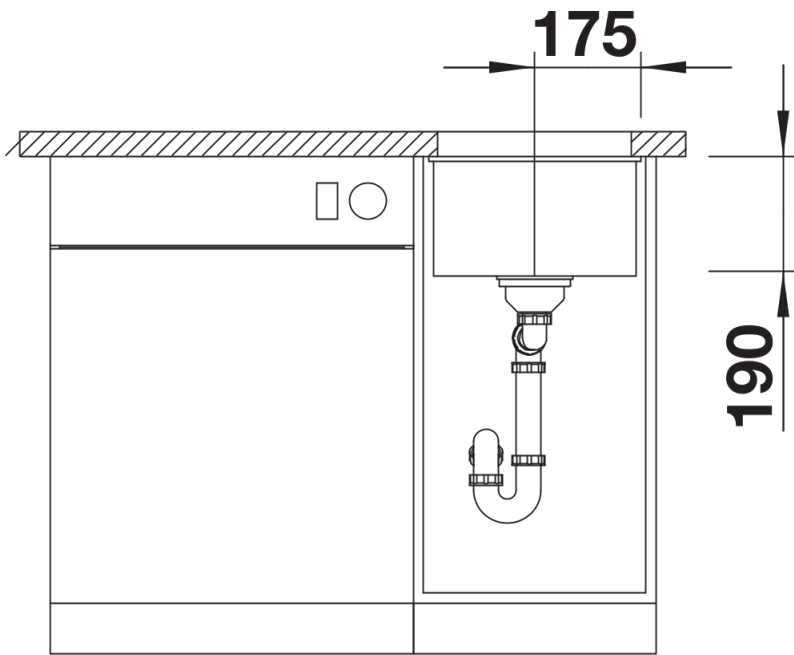
---



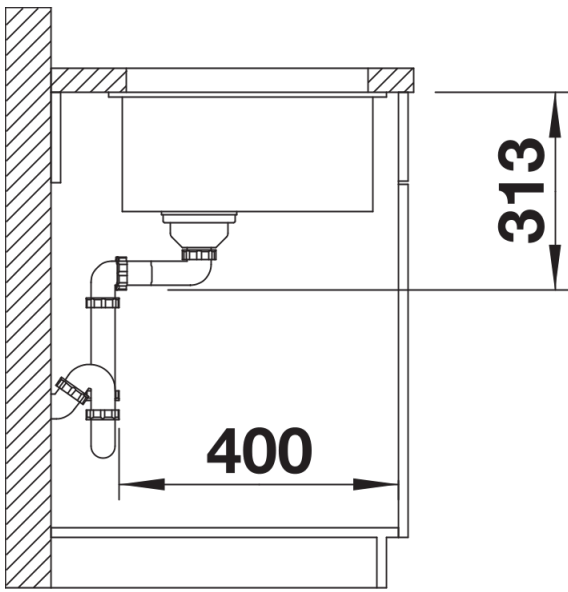
Top view



Cut-out



Front view



Side view