

## Product information sheet SUBLINE 500-IF/A SteelFrame

Item no. 524114

### Benefits

---



- Beautiful material mix of stainless steel and SILGRANIT
- Timelessly elegant, straight-lined bowl shape with IF flat rim
- Elegantly designed sink area with an integrated tap ledge
- For inset installation from above
- High-quality features with covered C-overflow and InFino drain system – elegantly integrated and easy-care
- Optional versatile accessories are available

### Colours

---



Available colours:

- black
- anthracite
- white

SILGRANIT white

## Planning information

---

- Cut out size: 532 x 499 x R10, Universal handing

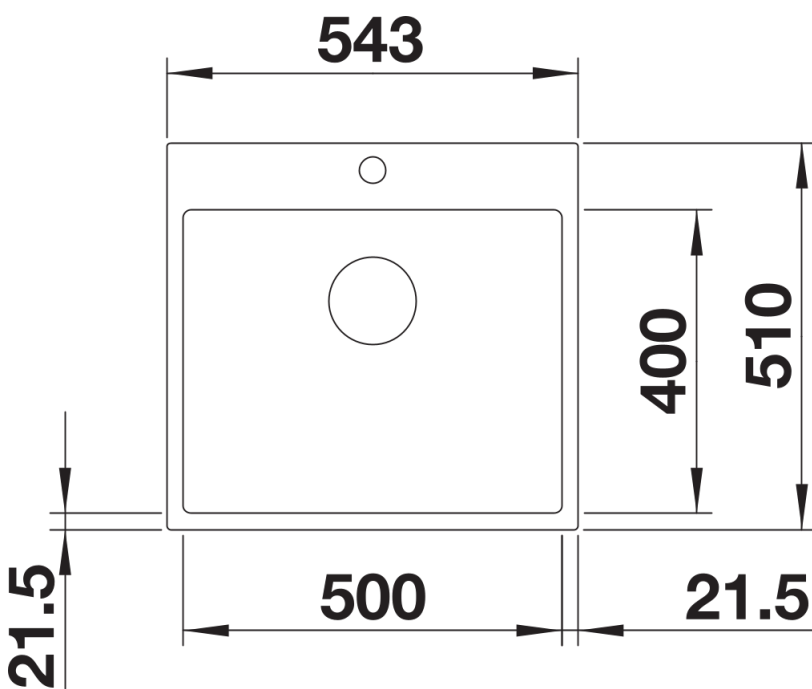
## Scope of supply

---

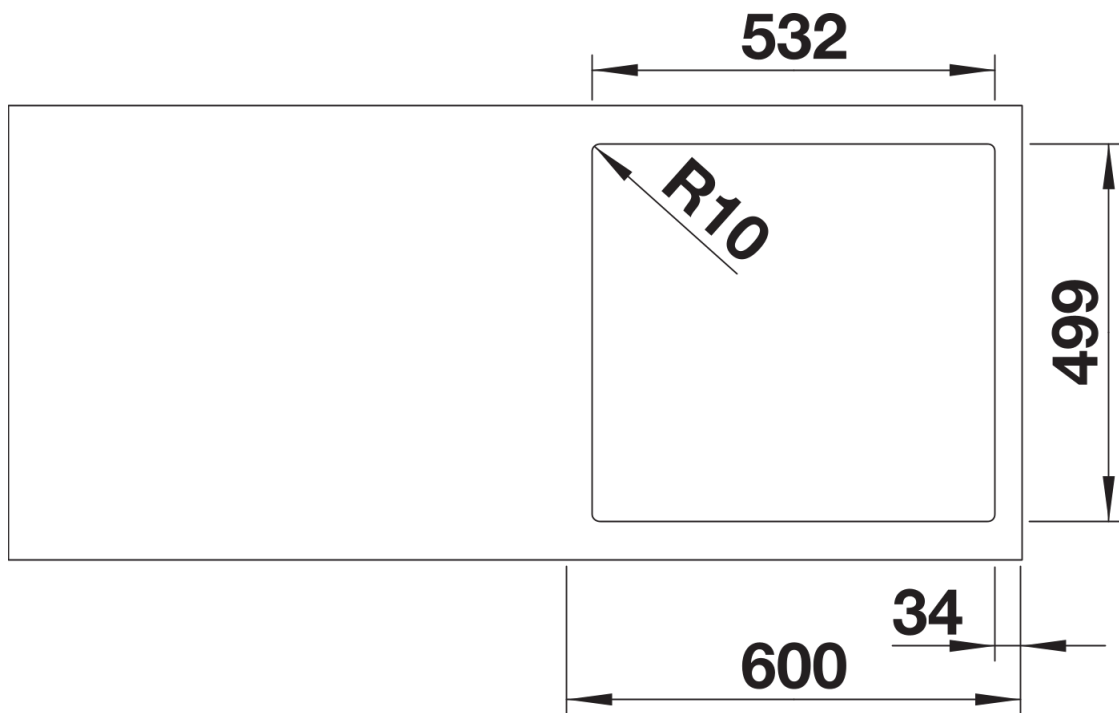
- Waste fitting with space-saving pipe  
- 3 ½" InFino basket strainer

## Details

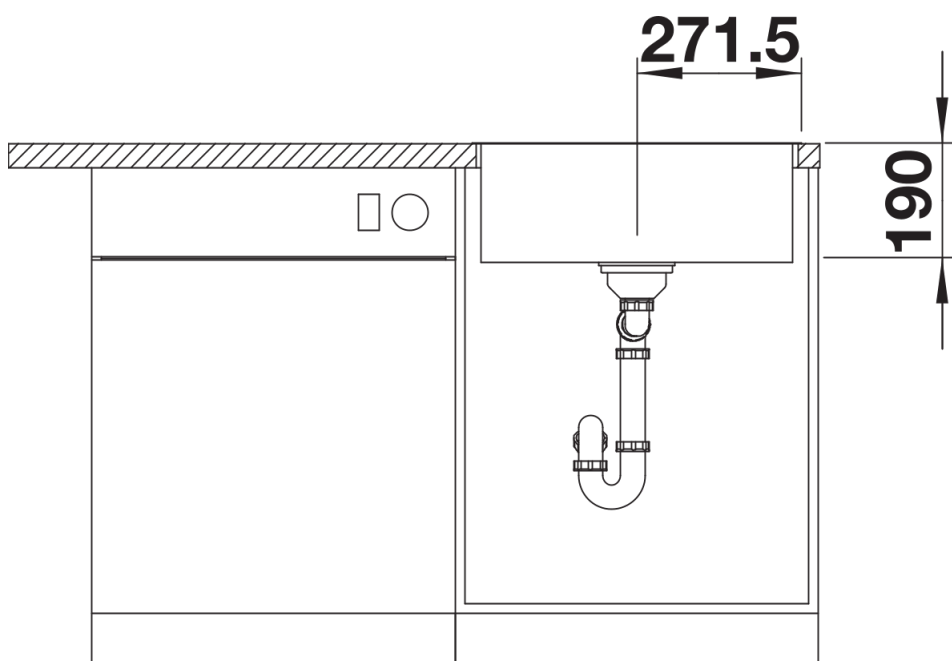
---



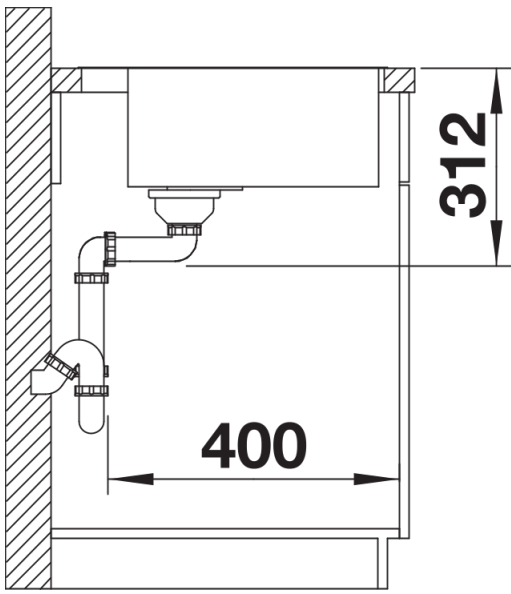
Top view



Cut-out



Front view



Side view