

Product information sheet ANDANO 400/400-IF/A

Item no. 525249

Benefits



- Unique composition of optical and functional elements
- The harmonious interplay between the radii and surface design creates a modern appeal
- Elegantly designed wet area with an integrated tap ledge in just one worktop cut-out
- High quality features consisting of a covered C-overflow and InFino drain system with PushControl - the slim and intuitive remote control
- Large bowl capacity and fully utilisable base
- Optional premium accessories are available

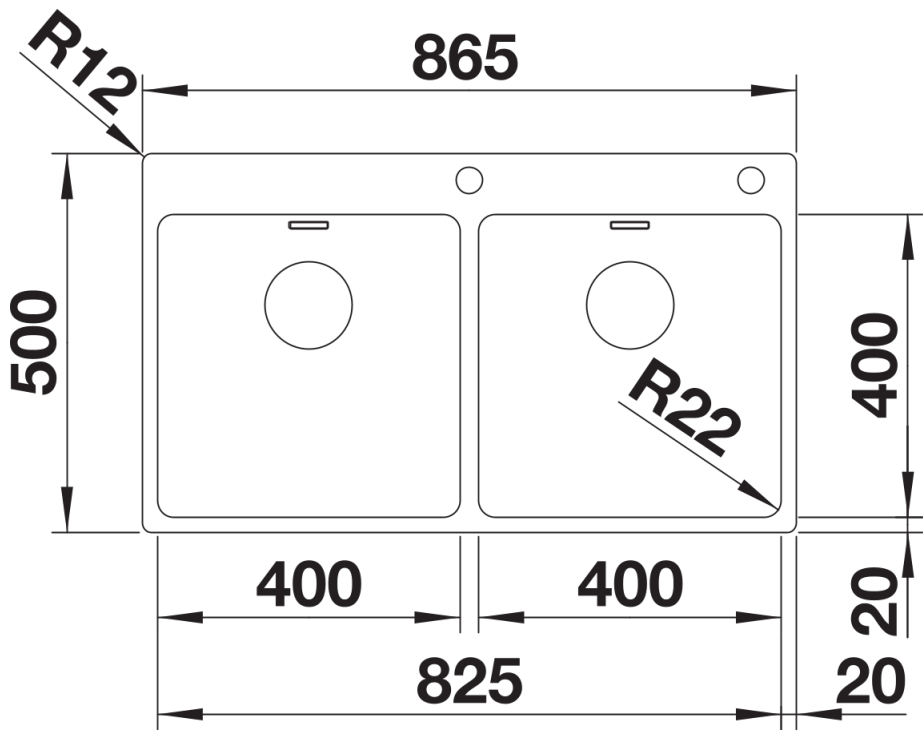
Planning information

- Note: Additional drill hole possible. The subsequent drill hole should be carried out by a specialist company.

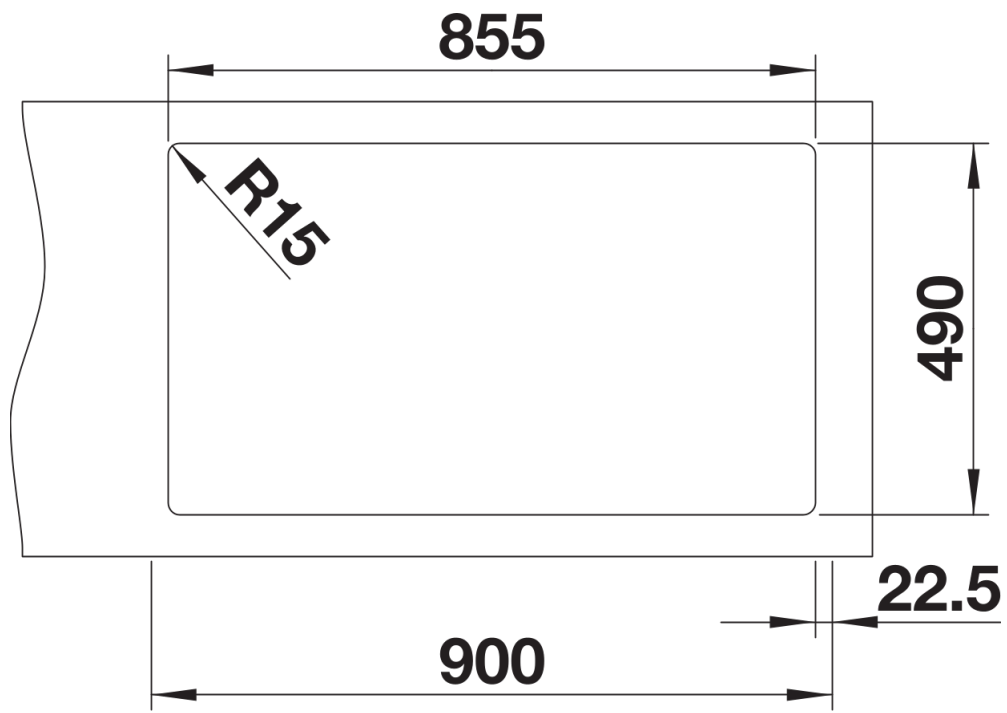
Scope of supply

- waste kit with space-saving pipe
- 2 x 3 ½" InFino basket strainer with drain remote control (PushControl) for 1 bowl
- fixing kit

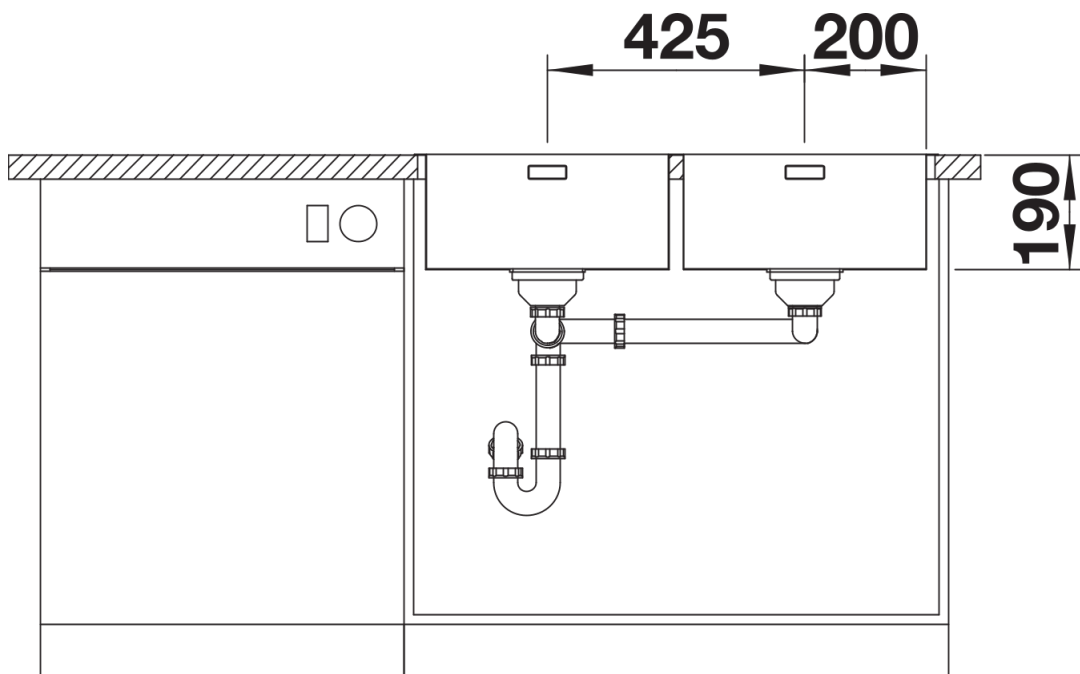
Details



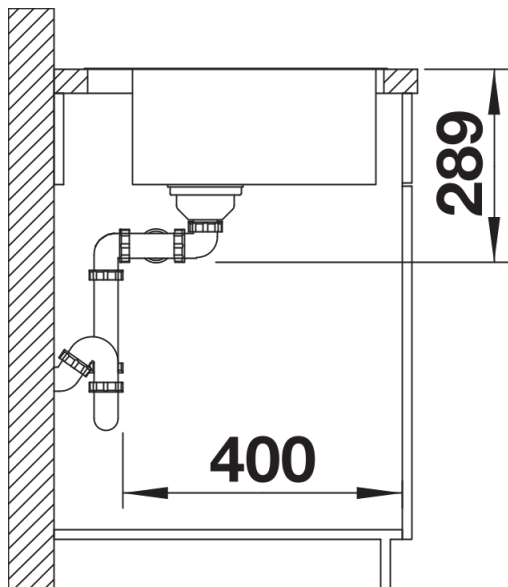
Top view



Cut-out



Front view



Side view