

## Product information sheet TRIMA Filter

Item no. 525803

### Benefits

---



- Comfortable 3 in 1 mixer tap with cold and warm water lever on the right, filtered water lever on the left
- Ergonomically shaped control elements with clear identification of functions
- Filtered and unfiltered water controlled separately
- Integrated spout for both water qualities with a special jet regulator
- Needs to be installed with a water filter system

### Colours

---



Available colours:

PVD steel

satin gold

PVD PVD steel

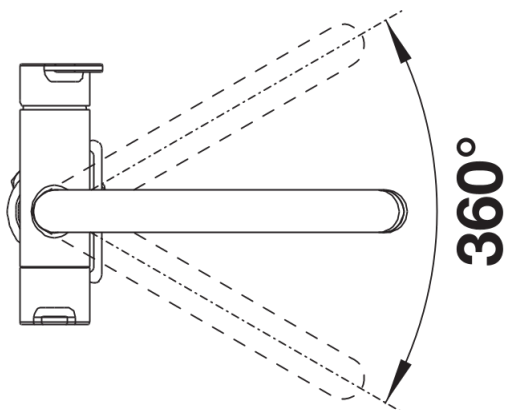
## Scope of supply

---

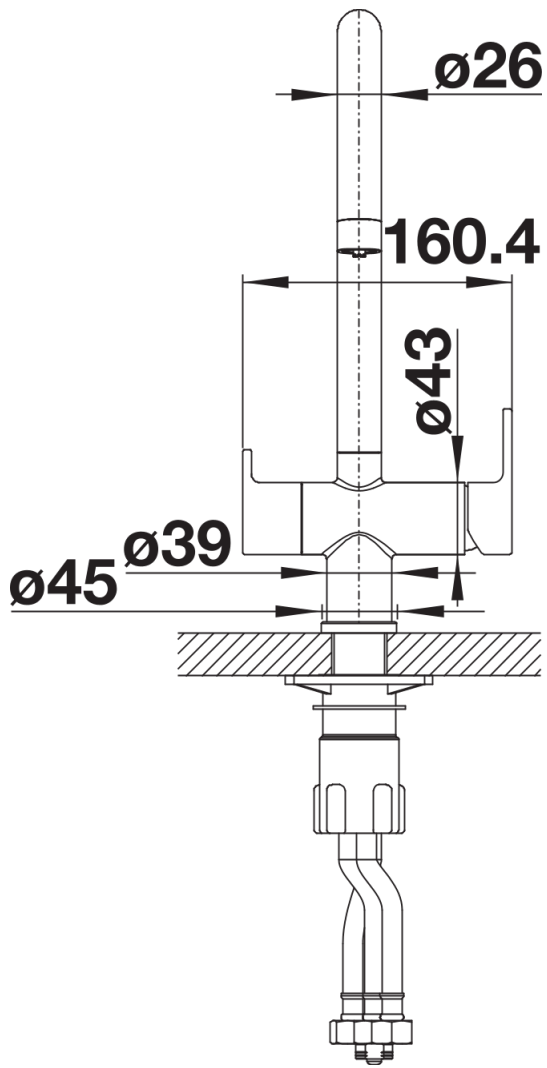
- 360° swivel spout for greater reach
- Ø 35 mm tap hole required
- Ceramic valve and disk cartridge
- Patented jet regulator for markedly reduced scaling
- Flexible connector pipes, 500 mm long and 3/8" nut
- Stabilisation plate to increase the stability of the tap when fitted in stainless steel sinks
- Filter system not included

## Details

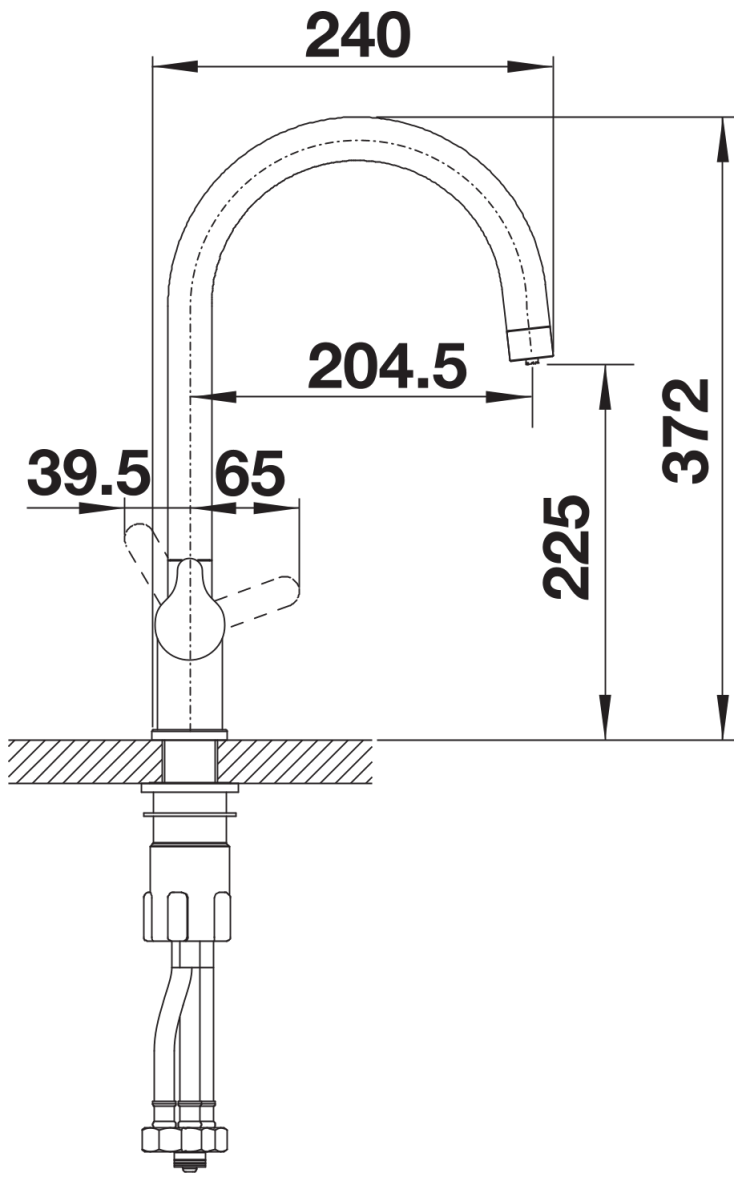
---



Swivel range



Side view hand gear 2D



Side view