

## Product information sheet SOLIS 700-IF/A

Item no. 526127

### Benefits

---



- A harmonious interplay between functional and visual elements
- High quality features consisting of a covered C-overflow and InFino drain system with PushControl - the slim and intuitive remote control
- Convenient bowl volume and base surface designed for practical use
- Elegant IF flat-rim for flushmount and for installation from above
- Functional accessories optionally available

## Planning information

---

- Additional drill hole possible. The subsequent drill hole should be carried out by a specialist company.

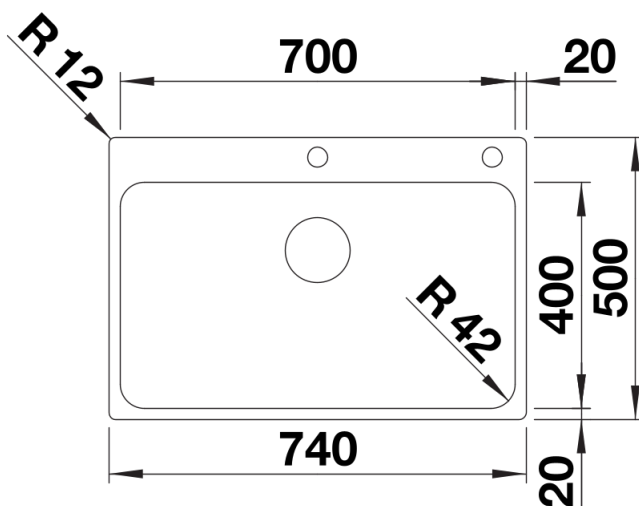
## Scope of supply

---

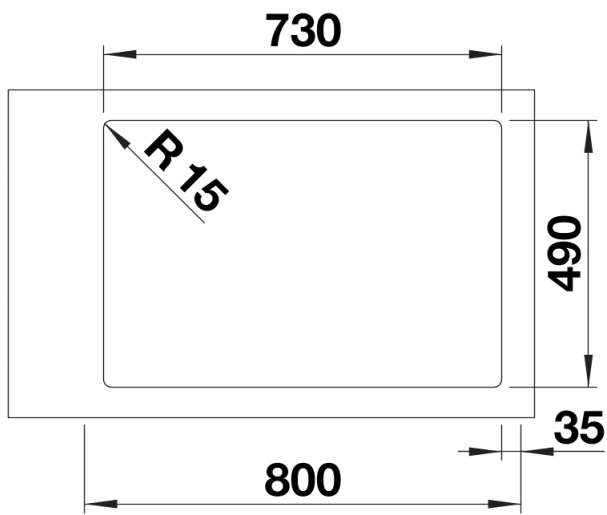
- waste kit with space-saving pipe
- 3 ½" InFino basket strainer with drain remote control (PushControl)
- fixing kit

## Details

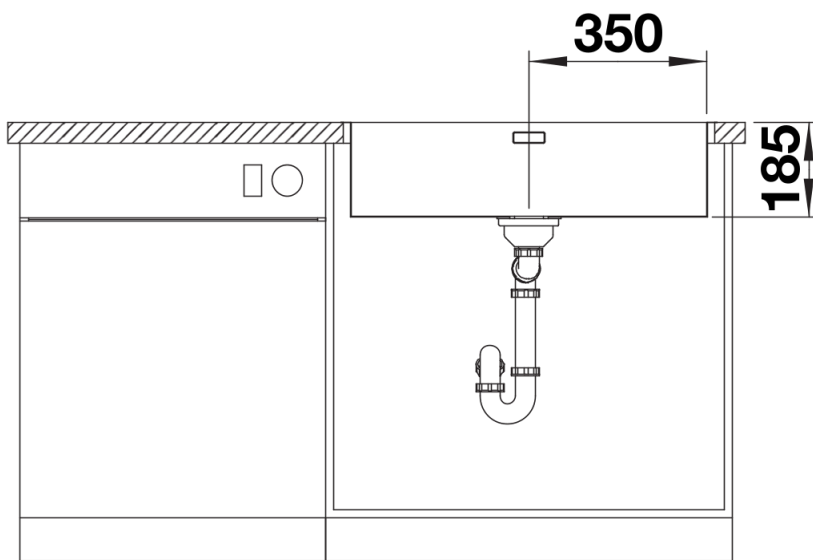
---



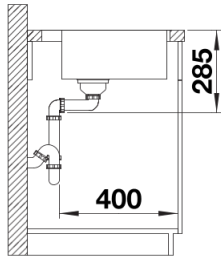
Top view



Cut-out



Front view



Side view