

Product information sheet SUPRA 400-IF R12

Item no. 526350

Benefits



- Selective range of bowls in a pleasing design
- Elegant IF flat-rim for flushmount and for installation from above
- Practical accessory optional available

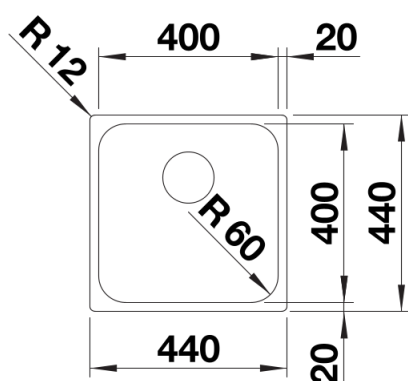
Planning information

- Note: Installing a kitchen mixer tap, drain remote control or soap dispenser in laminate worktops requires a flexible sealing tape.
- Please order drain connections for combinations of two individual bowls separately.

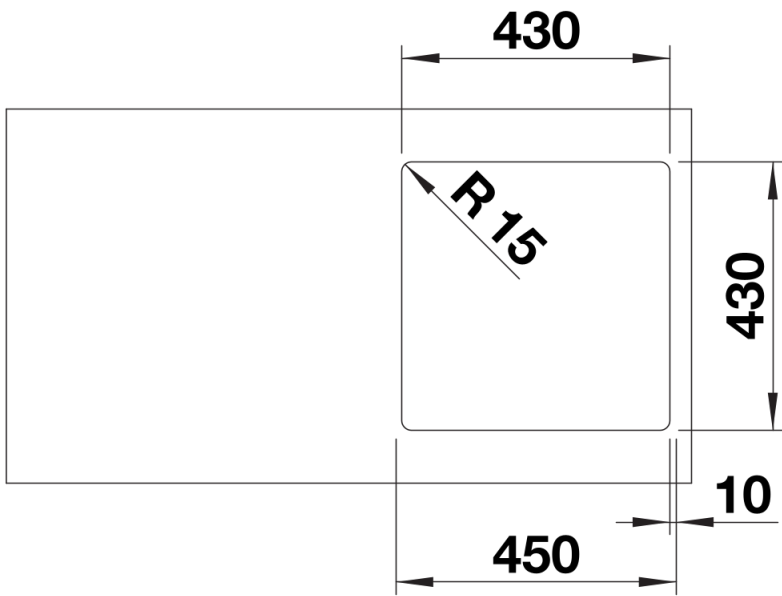
Scope of supply

- waste kit with space-saving pipe
- 3 ½" basket strainer
- fixing kit

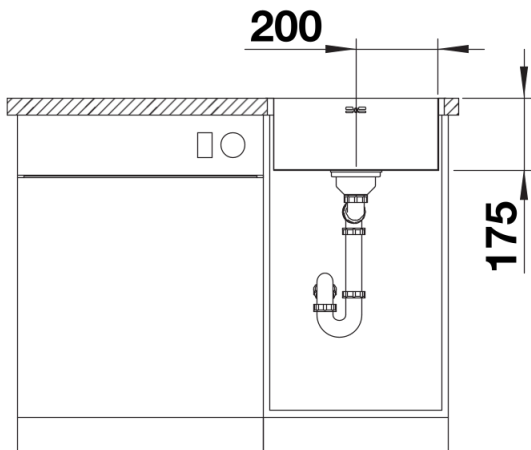
Details



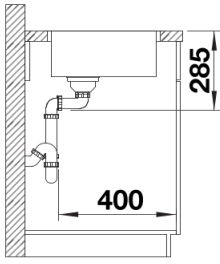
Top view



Cut-out



Front view



Side view