

## Product information sheet BOTTON II 30/2

Item no. 526376

### Benefits

---



- Large waste volume despite compact dimensions
- Can be flexibly positioned in the base cabinet
- Easy to install on the floor using just four screws
- Extremely sturdy thanks to the U-shaped steel sheet profile
- The bins can be easily removed by lifting upwards, thanks to the comfortable full extension
- Functional design made of high-quality plastic

## Planning information

---

- Suitable for base units with hinged doors from 30 cm width
- Can be mounted on the left, right or in the centre
- Mounting on the cabinet base

## Scope of supply

---

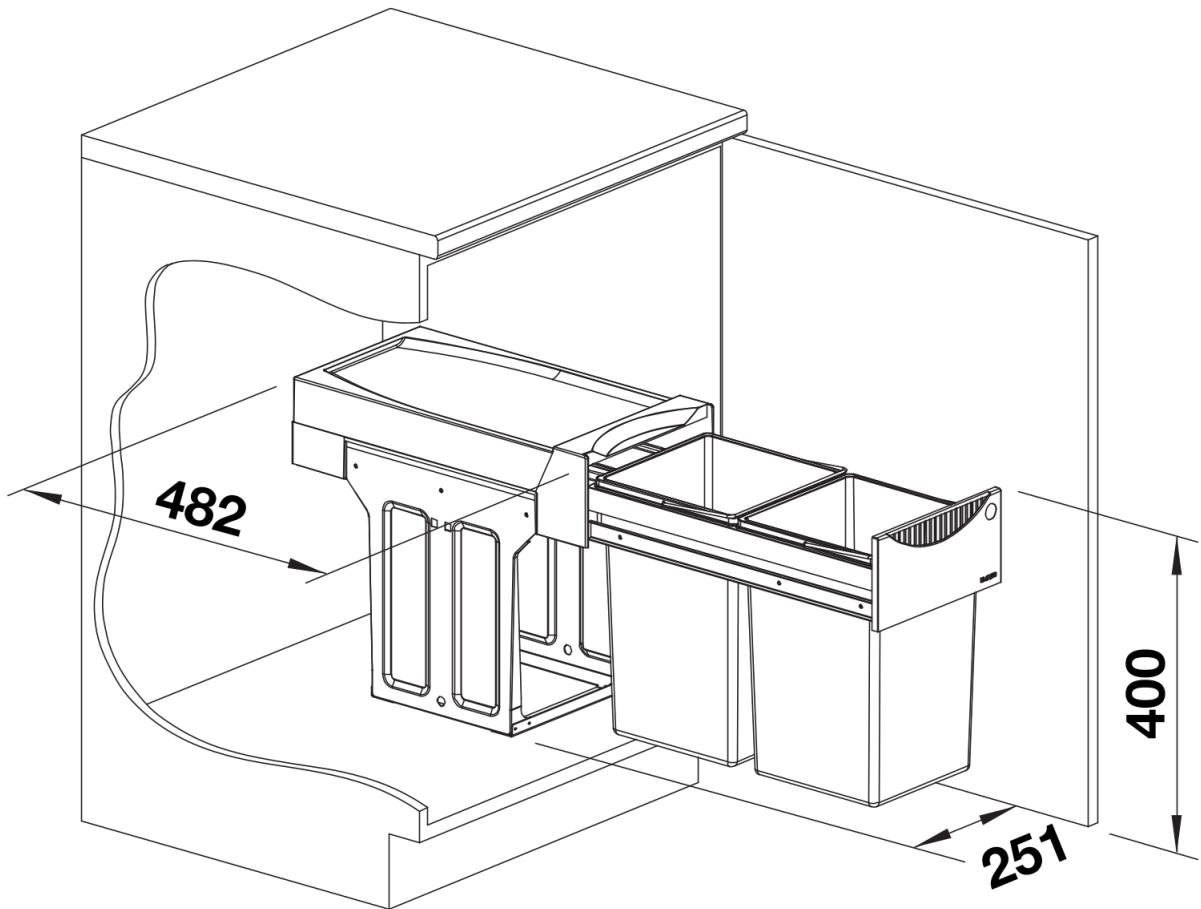
system for floor-mounting behind hinged doors, 2 x 15 l bin

## Details

---

15l
15l

Top view



PRODUKT\_3D