

Product information sheet FWD Lite

Item no. 526646

Benefits



- Entry-level model for disposing small amounts of food waste or for small households
- Optimal interface management for BLANCO sinks and bowls
- High quality and powerful AC induction motor
- Easy to install thanks to 3 bolt installation system
- Grinding components made of stainless steel
- 2 grinding stages for fine grinding results
- Volume of grinding chamber 900 ml

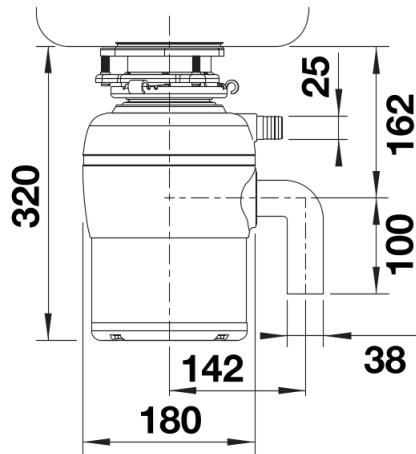
Planning information

- 3 ½" sink outlet required
- Product weight: 7,4 kg
- Non-detachable 90 cm inch power cord
- Reset-button on bottom of the FWD (note accessibility)

Scope of supply

- Removable baffle
- Stopper to close drain
- Air switch with cover in chrome
- L-pipe with dishwasher or overflow connection
- Overflow connection for BLANCO sinks
- Wrench for mounting and free blockage

Details



Side view

Specification

auto-reverse function: No
automatic shutdown: No
dishwasher connection: Yes
feeding type: continuous
frequency: 50 Hz
grinding chamber capacity: 900 ml
grinding components material: stainless steel
max. power consumption (W): 370 W
motor type: AC
mounting type: 3 bolt installation
overload protection: Yes
power plug type: E+F
rated current: 10 A
RPM: 1470 r/min
voltage: 230 V

View our how-to videos to learn more about installing and caring for BLANCO products:
<https://www.blanco.com/fwd-installation>

FAQ

de.espirit.firstspirit.access.editor.value.DomElementImpl@15a93831

<https://www.blanco.com/int-en/waste-management/food-waste-disposer/>

While BLANCO strives to provide accurate information, all images and dimensions in this document are intended for reference only and are subject to change at any time without notice. This document is not intended for use as an installation guide. For technical installation details, refer to installation instructions provided with the product. BLANCO assumes no responsibility for the use of superseded or voided specifications.