

## Product information sheet METRA 9 E

Item no. 526798

### Benefits

---



- Young, straight-lined design
- Designed especially for the corner placement with comfortable large main bowl and spacious additional bowl
- Spacious draining area provides a high degree of comfort

### Colours

---



Available colours:

- black
- anthracite
- rock grey
- volcano grey
- white
- soft white
- tartufo
- coffee

SILGRANIT volcano grey

## Planning information

---

- Cut-out by template.

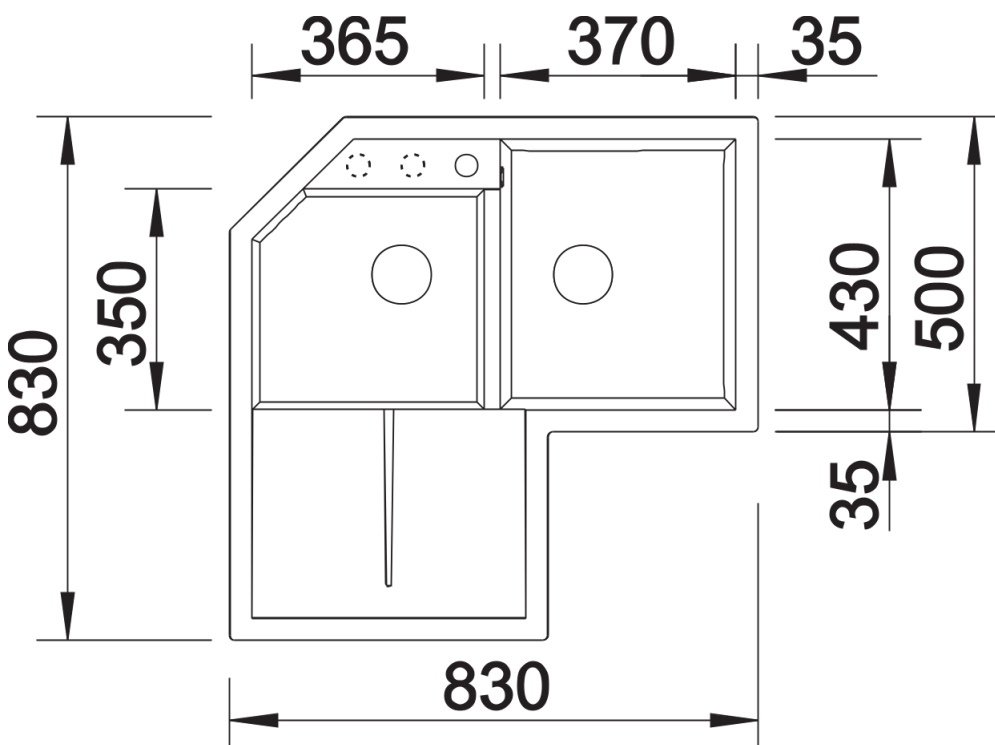
## Scope of supply

---

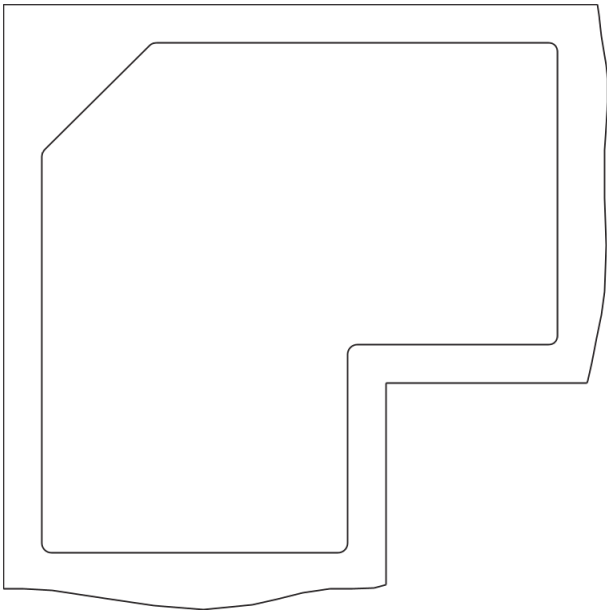
- waste kit with space-saving pipe
- 2 x 3 ½" basket strainer

## Details

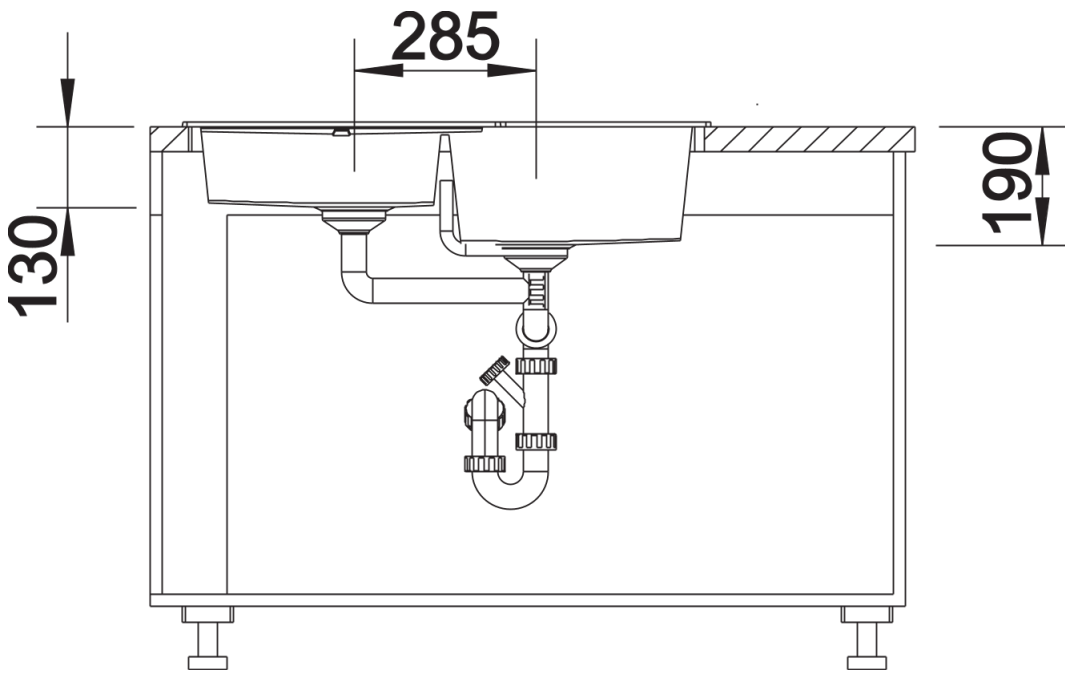
---



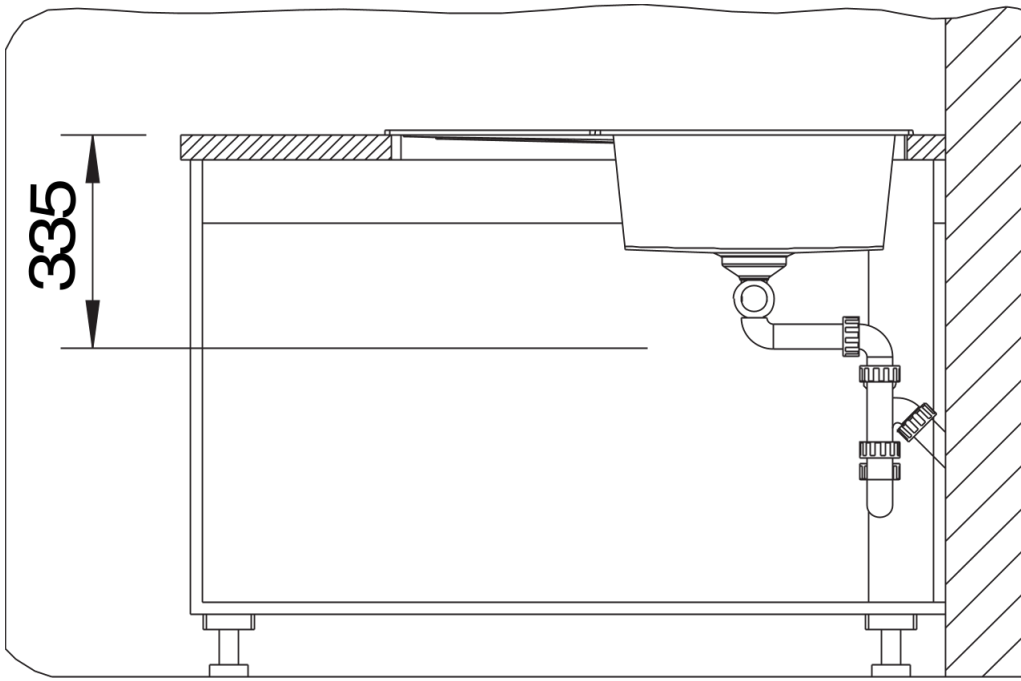
Top view



Cut-out



Front view



Side view